

Focus

Bar Faucet, 1.5 GPM

Finish: **Steel Optic** Part no. : **04507801**



Description

Features

- Swivel range 150°
- Aerated spray
- Deck mounted
- Max. flow: 1.5 GPM (5.7 L/Min)
- Ceramic cartridge
- 3/8" connections
- Single lever kitchen mixer, connection hoses, Fastening set, Assembly instructions

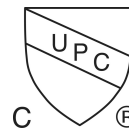
Item details

List Price \$ 550.00

Technology



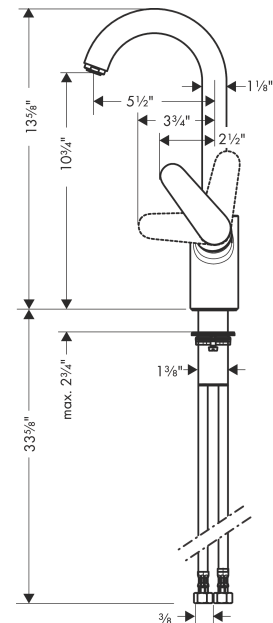
Compliance / Sustainability



Product image



Scale drawing



Focus

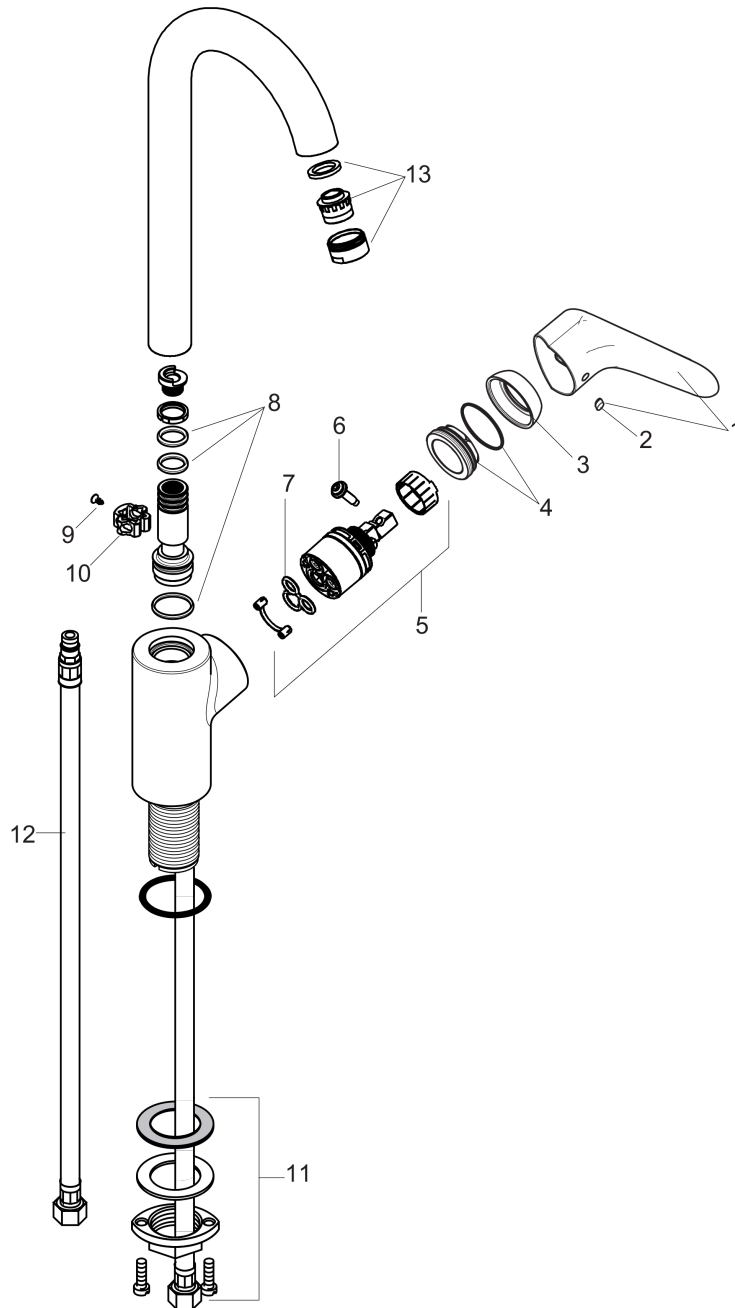
Bar Faucet, 1.5 GPM

Finish: **Steel Optic** Part no. : **04507801**



Exploded drawing

Year of production: >10/18



Focus

Bar Faucet, 1.5 GPM

Finish: **Steel Optic** Part no. : **04507801**



Spare parts list

Year of production: >10/18

Pos.	Description	Part no.	Price	PU
1	handle	98460800	-	1
2	screw cover	96338000	-	1
3	flange	95498800	-	1
4	nut	97209000	-	1
5	cartridge, assy	92730000	-	1
6	locking screw for handle	95140000	-	1
7	seal	95008000	-	1
8	sealing set	92646000	-	1
9	screw	97662000	-	1
10	axialring	97558000	-	1
11	fixing set (Ø 34)	95049000	-	1
12	connection hose 35½" M8x0,75 3/8"	96316001	-	1
13	aerator M24x1 (5 l/min)	88744800	-	1