

Croma Select E
Pressure Balance Shower Set with Rough, 2.0 GPM
 Finish: **chrome** Part no. : **04911000**



Description

Features

- Consists of: Showerhead, Showerarm, Pressure balance trim, Rough, single lever shower mixer
- Shower head size: 7.36" x 7.36"
- Spray modes: Rain, IntenseRain
- Spray type alternation: Select button for comfortable alternation of spray modes
- Ball-joint: Showerhead angle adjustable
- Max. flow: 2.0 GPM (7.6 L/Min)
- Use of outlets: Temperature and on/off control for 1 outlet

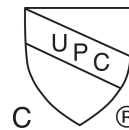
Item details

List Price \$ 735.00

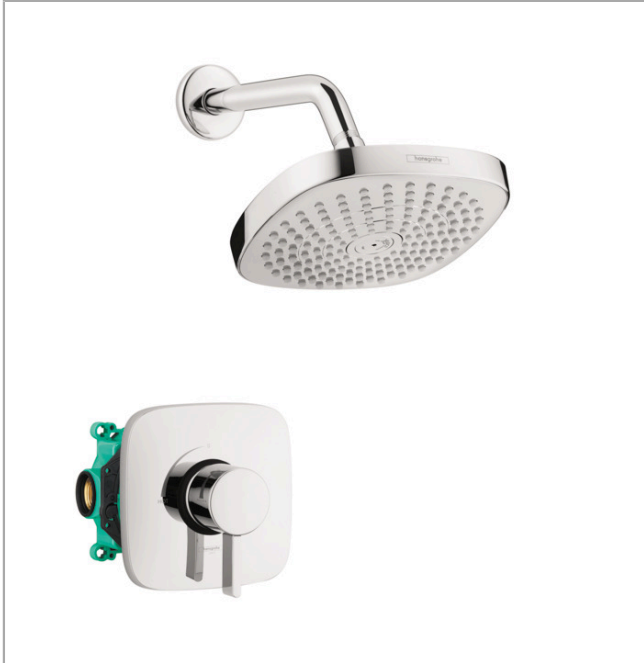
Technology



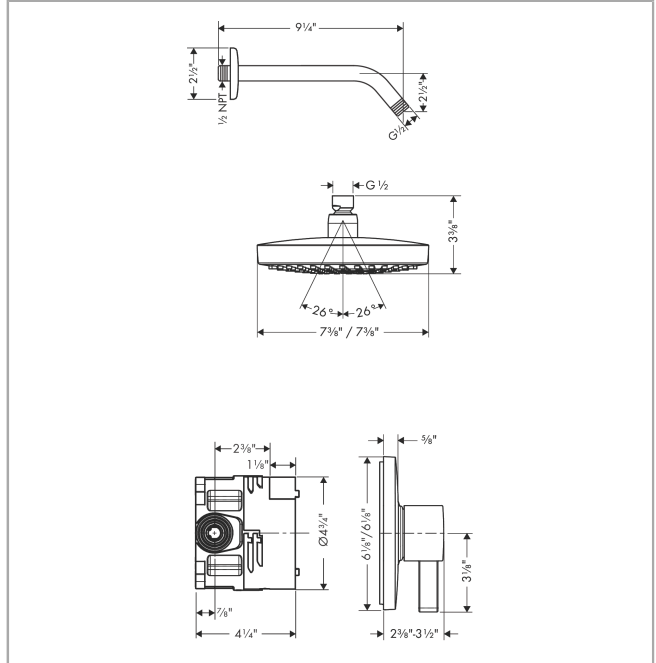
Compliance / Sustainability



Product image



Scale drawing

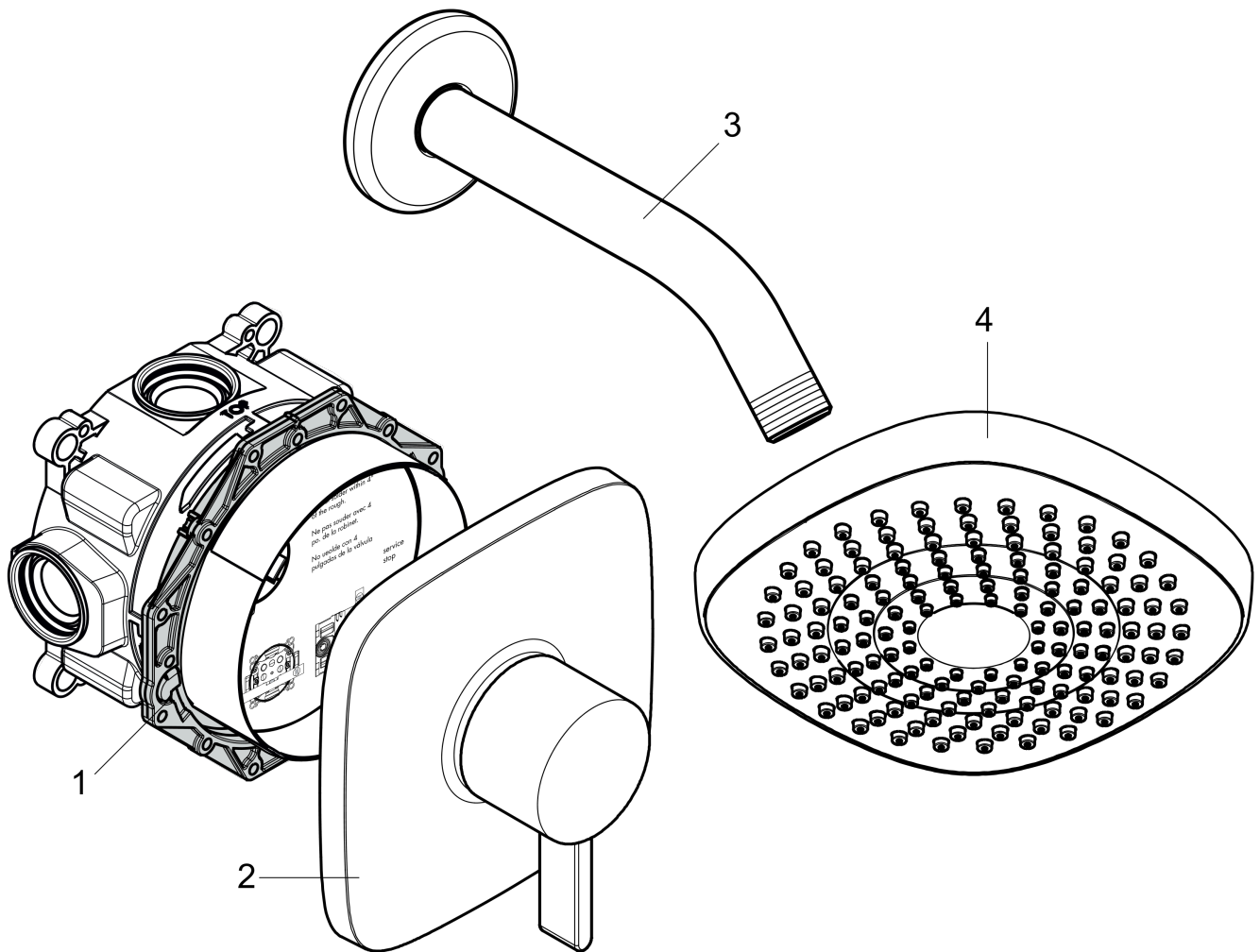


Croma Select E
Pressure Balance Shower Set with Rough, 2.0 GPM
 Finish: **chrome** Part no. : **04911000**



Exploded drawing

Year of production: >08/20



Croma Select E
Pressure Balance Shower Set with Rough, 2.0 GPM
 Finish: **chrome** Part no. : **04911000**



Spare parts list

Year of production: >08/20

Pos.	Description	Part no.	Price	PU
1	base body	01850181	-	1
2	Finish set	15718001	-	1
3	shower arm	04186003	-	1
4		04387000	-	1