

**C Accessories**

**Toilet Paper Holder**

Finish: **brushed nickel** Part no. : **06093820**



**Description**

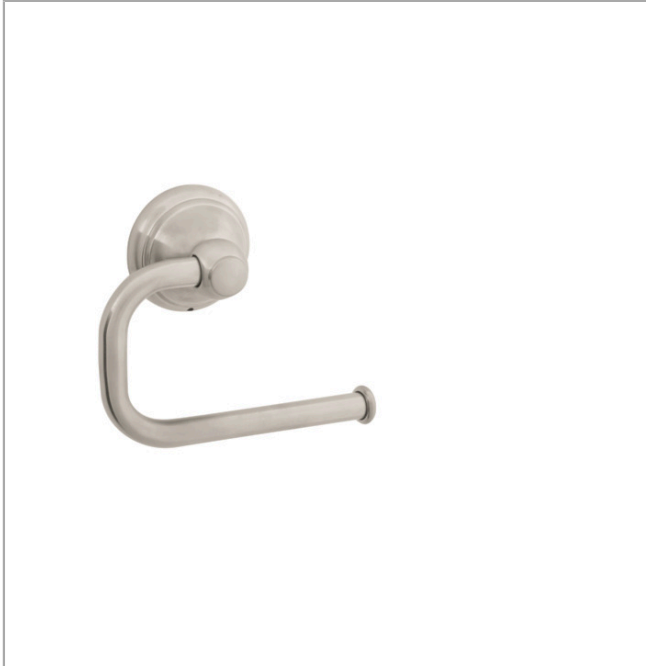
**Features**

- Wall-mounted
- Brass
- Metal holder
- With mounting material
- Concealed fastening

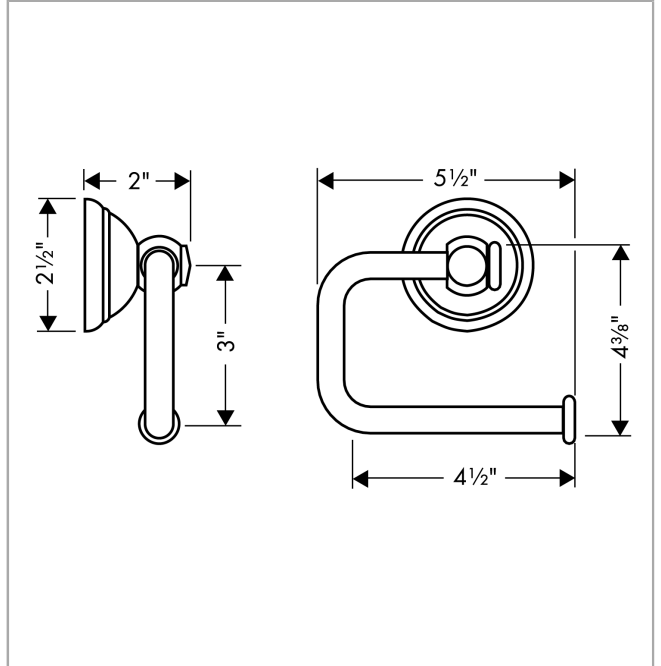
**Item details**

List Price \$ 196.00

**Product image**



**Scale drawing**



C Accessories

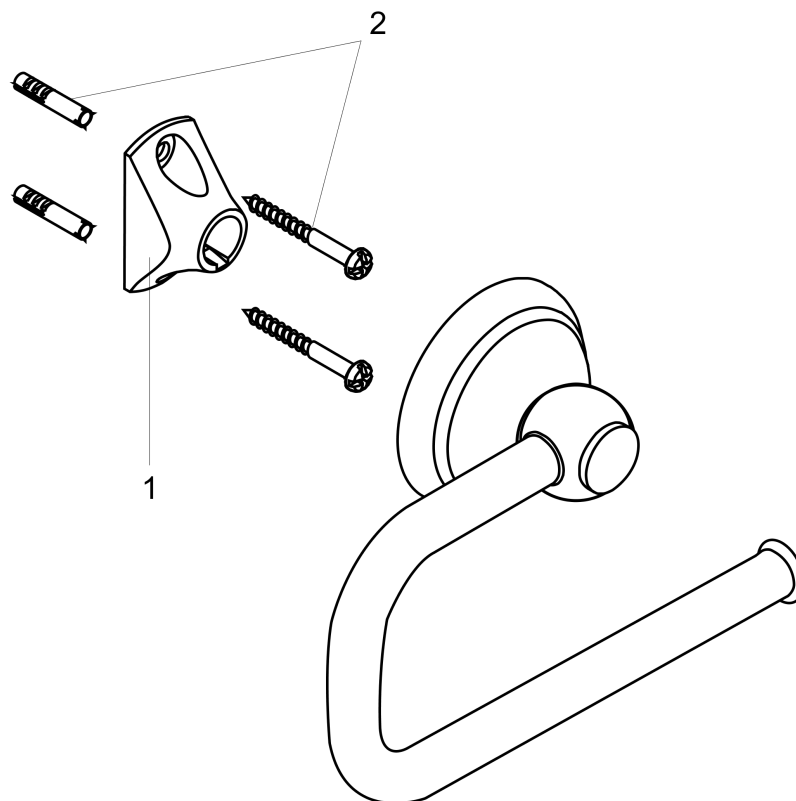
Toilet Paper Holder

Finish: brushed nickel Part no. : 06093820



Exploded drawing

Year of production: >01/04



**C Accessories**

**Toilet Paper Holder**

Finish: **brushed nickel** Part no. : **06093820**



**Spare parts list**

Year of production: >01/04

Pos.	Description	Part no.	Price	PU
1	support element	96341000	-	1
2	mounting set	40915000	-	1