

C Accessories

Hook

Finish: **brushed nickel** Part no. : **06099820**



Description

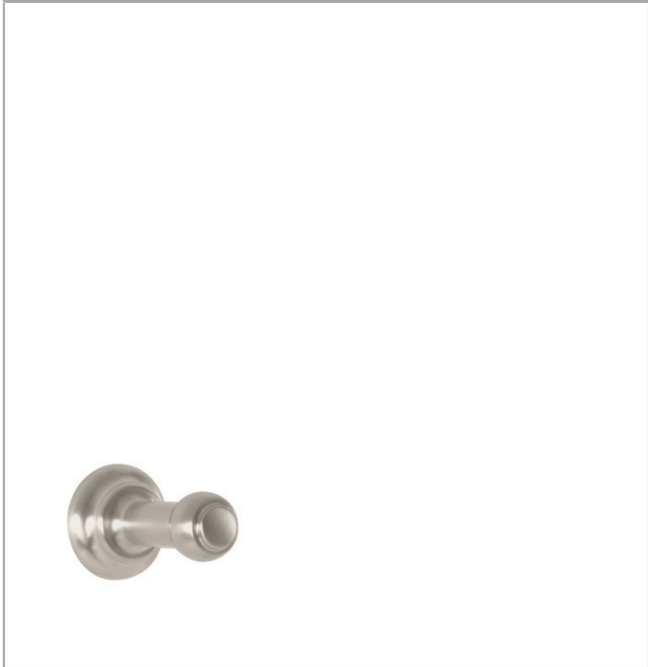
Features

- Wall-mounted
- Metal
- With mounting material
- Concealed fastening

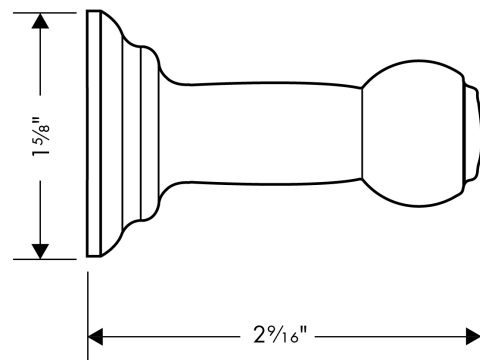
Item details

List Price \$ 80.00

Product image



Scale drawing



C Accessories

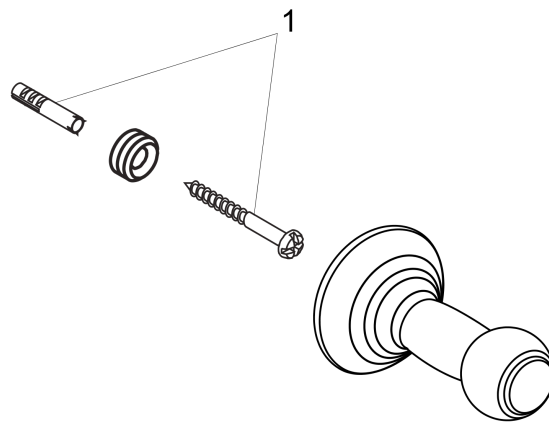
Hook

Finish: **brushed nickel** Part no. : **06099820**



Exploded drawing

Year of production: >01/04



C Accessories

Hook

Finish: **brushed nickel** Part no. : **06099820**



Spare parts list

Year of production: >01/04

Pos.	Description	Part no.	Price	PU
1	mounting set	40915000	-	1