

AXOR Starck

Electronic Faucet with Preset Temperature Control, 0.5 GPM, without Pop-up Drain

Finish: **chrome** Part no. : **10106001**



Description

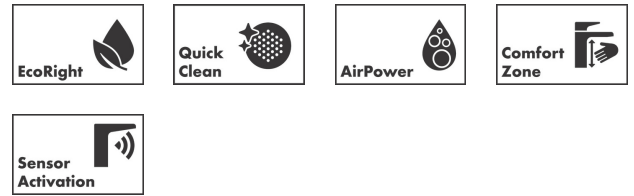
Features

- Spray modes: aerated spray
- Max. flow: 0.5 GPM (1.9 L/Min)
- Pre-set temperature
- Infrared sensor
- Battery operated (battery type 6V CR-P2, included) with low battery indicator
- Flushing time: 10 seconds
- Frequency of hygiene rinse: 24 hours
- Flushing time hygiene rinse: 10 seconds
- Cleaning mode: manual water stop for sink cleaning
- 3/8" connections

Item details

List Price \$ 1,421.00

Technology



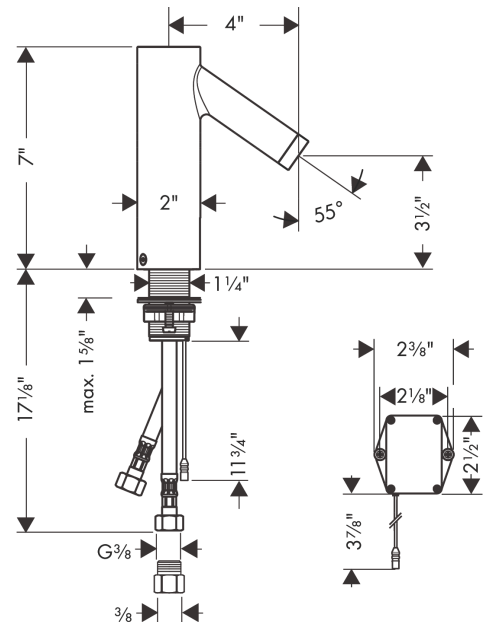
Compliance / Sustainability



Product image



Scale drawing



AXOR Starck

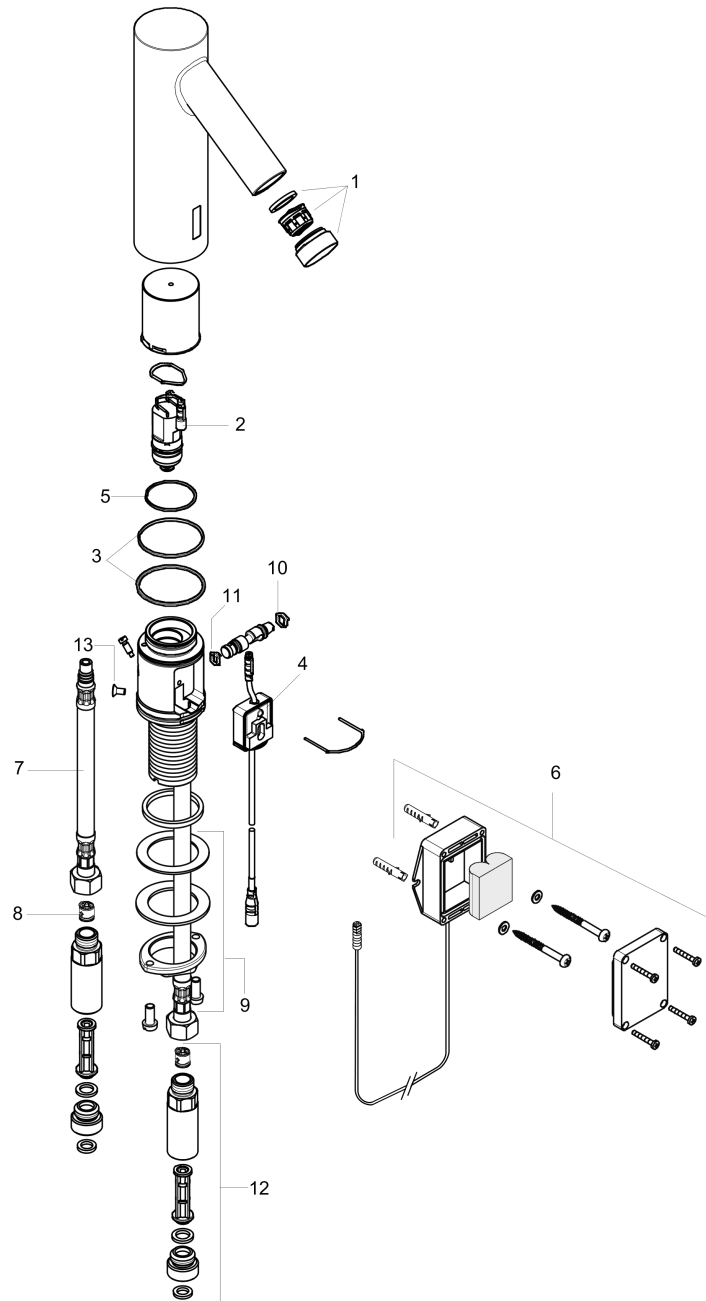
Electronic Faucet with Preset Temperature Control, 0.5 GPM, without Pop-up Drain

Finish: **chrome** Part no. : **10106001**



Exploded drawing

Year of production: **>08/18**



AXOR Starck

Electronic Faucet with Preset Temperature Control, 0.5 GPM, without Pop-up Drain

Finish: **chrome** Part no. : **10106001**



Spare parts list

Year of production: >08/18

Pos.	Description	Part no.	Price	PU
1	aerator M24x1 (1,9 l/min)	93081000	-	1
2	solenoid valve	95654000	-	1
3	O-ring 41x2	98212000	-	1
4	electronics incl. solenoid valve	98803000	-	1
5	O-ring 31x2	98204000	-	1
6	battery box	98801000	-	1
7	connection hose 450 mm	92345001	-	1
8	non return valve DW 10	96456000	-	1
9	fixing set (Ø 32)	13961000	-	1
10	O-ring 6x2	98458000	-	1
11	O-ring 5x2	98215000	-	1
12	back flow preventor cartridge with microfilter	92297001	-	1
13	screw	93272000	-	1