

**AXOR Starck
Tub Spout**

Finish: **chrome** Part no. : **10410001**



Description

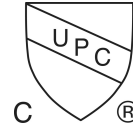
Features

- Max. flow: 5.0 GPM (19 L/Min)
- Solid Brass
- Includes: 1/2" female and 3/4" male adaptor

Item details

List Price \$ 438.00

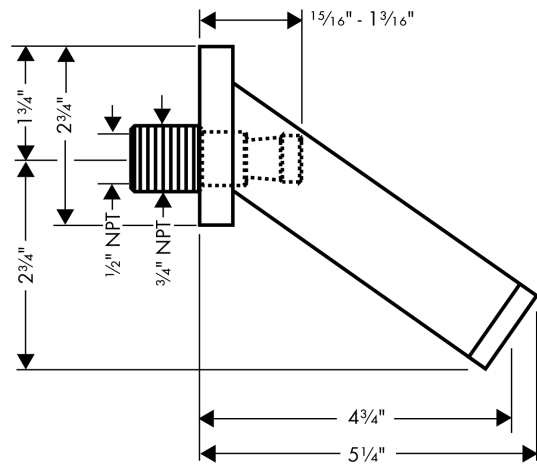
Compliance / Sustainability



Product image



Scale drawing

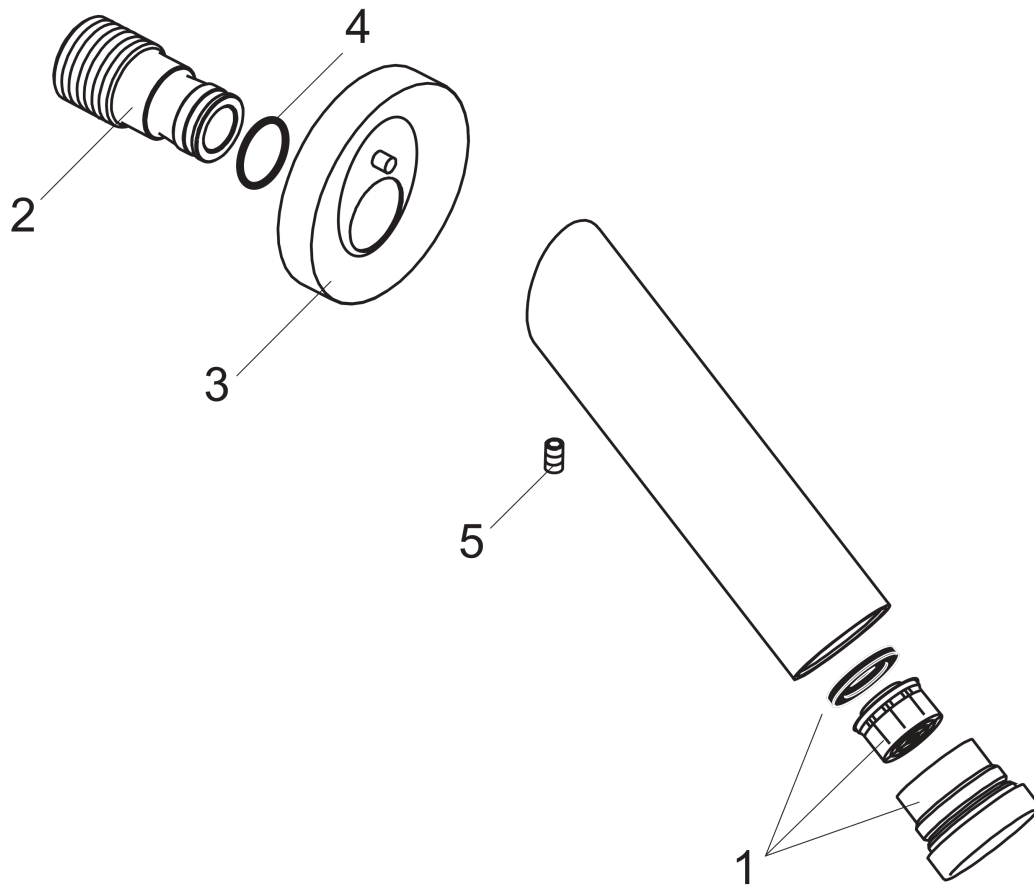


AXOR Starck
Tub Spout
 Finish: **chrome** Part no. : **10410001**



Exploded drawing

Year of production: >03/98



AXOR Starck
Tub Spout
 Finish: **chrome** Part no. : **10410001**



Spare parts list

Year of production: >**03/98**

Pos.	Description	Part no.	Price	PU
1	aerator M30x1 (25 l/min)	94034000	-	1
2	connecting thread	96472001	-	1
3	escutcheon	96424000	-	1
a	extension set 50 mm	10495000	-	1