

AXOR Starck
Thermostatic Trim
 Finish: **chrome** Part no. : **10715001**



Description

Features

- Thermostatic cartridge
- Max. flow: 7.0 GPM (26.5 L/Min)
- Anti-scald 100° safety stop

Item details

List Price \$ 1,355.00

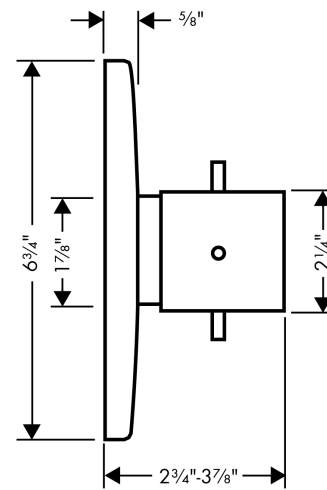
Compliance / Sustainability



Product image



Scale drawing

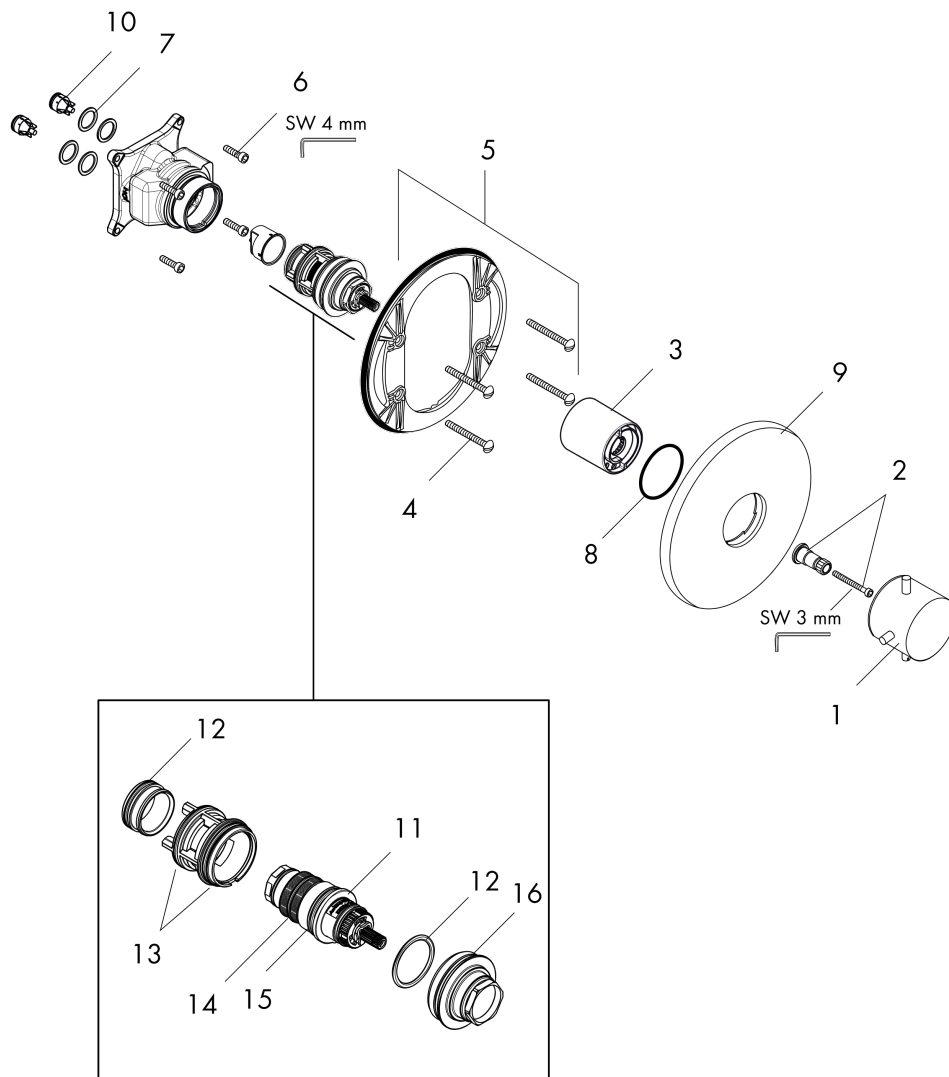


AXOR Starck
Thermostatic Trim
 Finish: **chrome** Part no. : **10715001**



Exploded drawing

Year of production: >08/23



AXOR Starck
Thermostatic Trim
 Finish: **chrome** Part no. : **10715001**



Spare parts list

Year of production: >08/23

Pos.	Description	Part no.	Price	PU
1	handle for thermostat	10391001	-	1
2	adapter for handle	96435000	-	1
3	sleeve	97439000	-	1
4	set of fixing screws	96454000	-	1
5	sub plate	96447000	-	1
6	set of screws	96525000	-	1
7	O-ring 16x2	98133000	-	1
8	O-ring 48x5	98174000	-	1
9	escutcheon Ø 170 mm	95803000	-	1
10	set of non return valves DW 15	97350000	-	1
11	thermostat cartridge	94282000	-	1
12	O-ring 26x2	98147000	-	1
13	O-ring 34x2	98383000	-	1
14	O-ring 25x1,5	98146000	-	1
15	O-ring 25x2,5	92146000	-	1
16	O-ring 38x2,5	98198000	-	1
a	extension 22 mm (Ø 170 mm)	13596000	-	1
b	extension 25 mm	13595000	-	1
c	base body	01850181	-	1