

**AXOR ShowerSolutions**  
**Thermostatic Module Trim 15" x 5" for 3 Functions**  
 Finish: brushed nickel Part no. : 10751821



**Description**

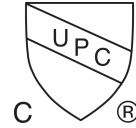
**Features**

- Outlets may be operated simultaneously
- Thermostatic cartridge
- Max. flow: 7.50 GPM
- Anti-scald 100° safety stop

**Item details**

List Price \$ 2,794.00

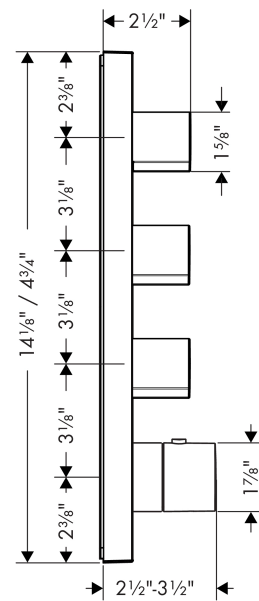
**Compliance / Sustainability**



**Product image**



**Scale drawing**

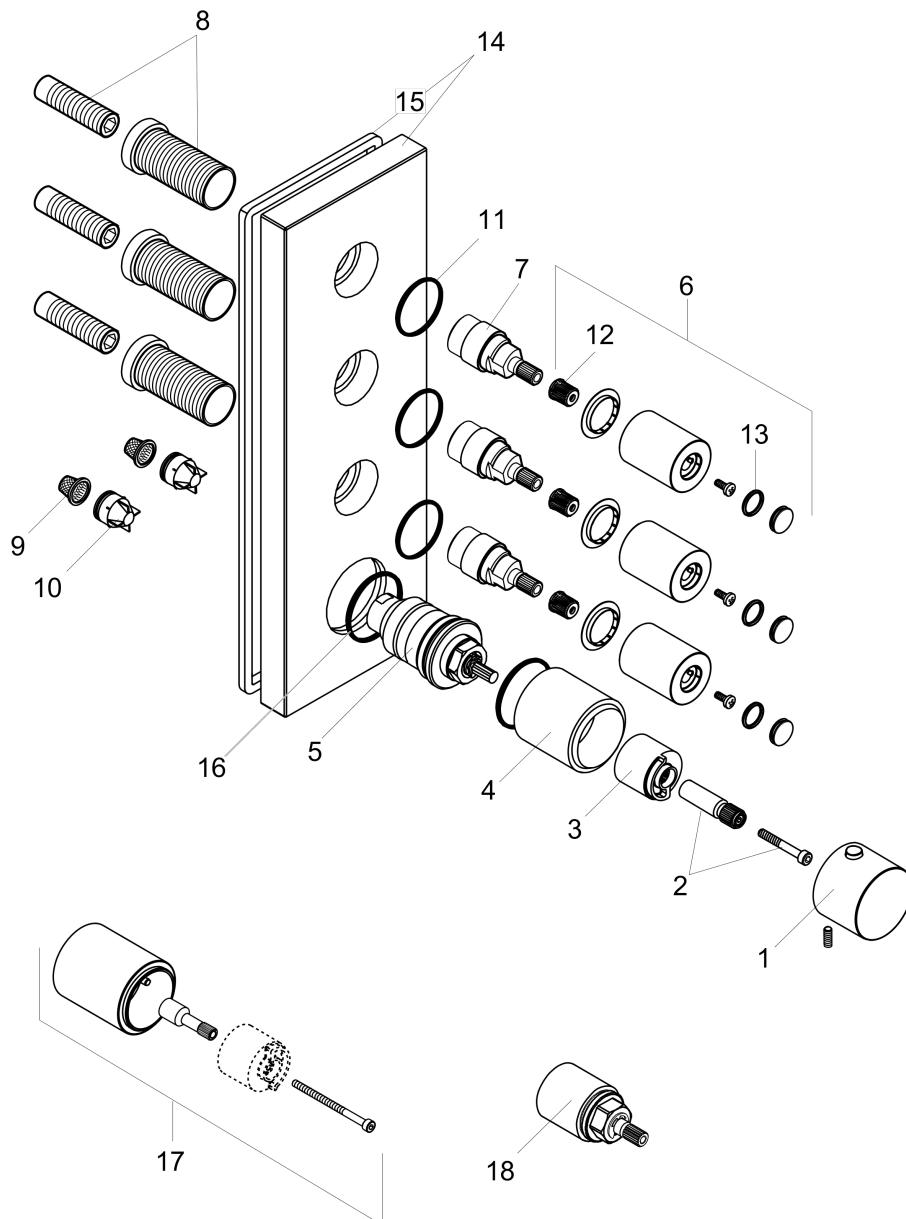


**AXOR ShowerSolutions**  
**Thermostatic Module Trim 15" x 5" for 3 Functions**  
 Finish: brushed nickel Part no. : 10751821



Exploded drawing

Year of production: >04/09



**AXOR ShowerSolutions**  
**Thermostatic Module Trim 15" x 5" for 3 Functions**  
 Finish: **brushed nickel** Part no. : **10751821**



### Spare parts list

Year of production: >04/09

Pos.	Description	Part no.	Price	PU
1	handle for thermostat	95316821	-	1
2	adapter for handle	98701000	-	1
3	safety set for temperature control	97334000	-	1
4	sleeve	95331820	-	1
5	thermostat cartridge	96633000	-	1
6	handle	96298821	-	1
7	adapter for handle	95153820	-	1
8	fixing set	96393000	-	1
9	filter	97973000	-	1
10	set of non return valves DW 15	97350000	-	1
11	O-ring 26x2	98147000	-	1
12	handle fixing set	98932000	-	1
13	O-ring 13x2	98128000	-	1
14	escutcheon	95317820	-	1
15	seal	95885000	-	1
16	O-ring 48x4	98414000	-	1
17	extension 25 mm	10790000	-	1
18	extension 25 mm	96370000	-	1
a	base body	10750181	-	1