

AXOR ShowerSolutions

Tub Spout Trim 10" x 5"

Finish: **chrome** Part no. : **10942001**



Description

Features

- Max. flow: 5.5 GPM (20.6 L/Min)
- Solid Brass
- Includes: Tub spout, Mounting Material, Assembly instructions

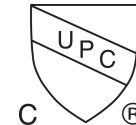
Item details

List Price \$ 1,190.00

Technology



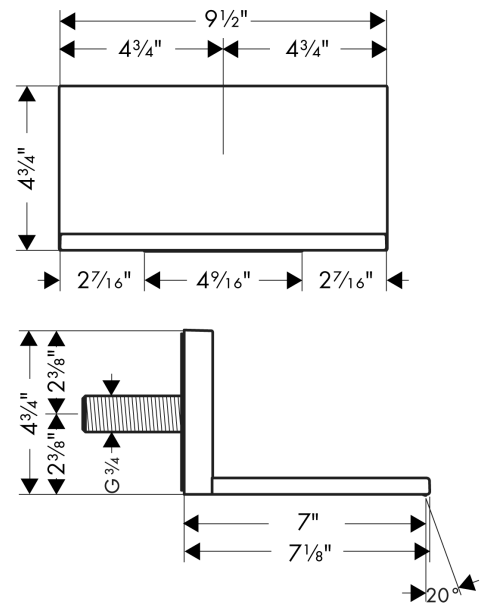
Compliance / Sustainability



Product image



Scale drawing

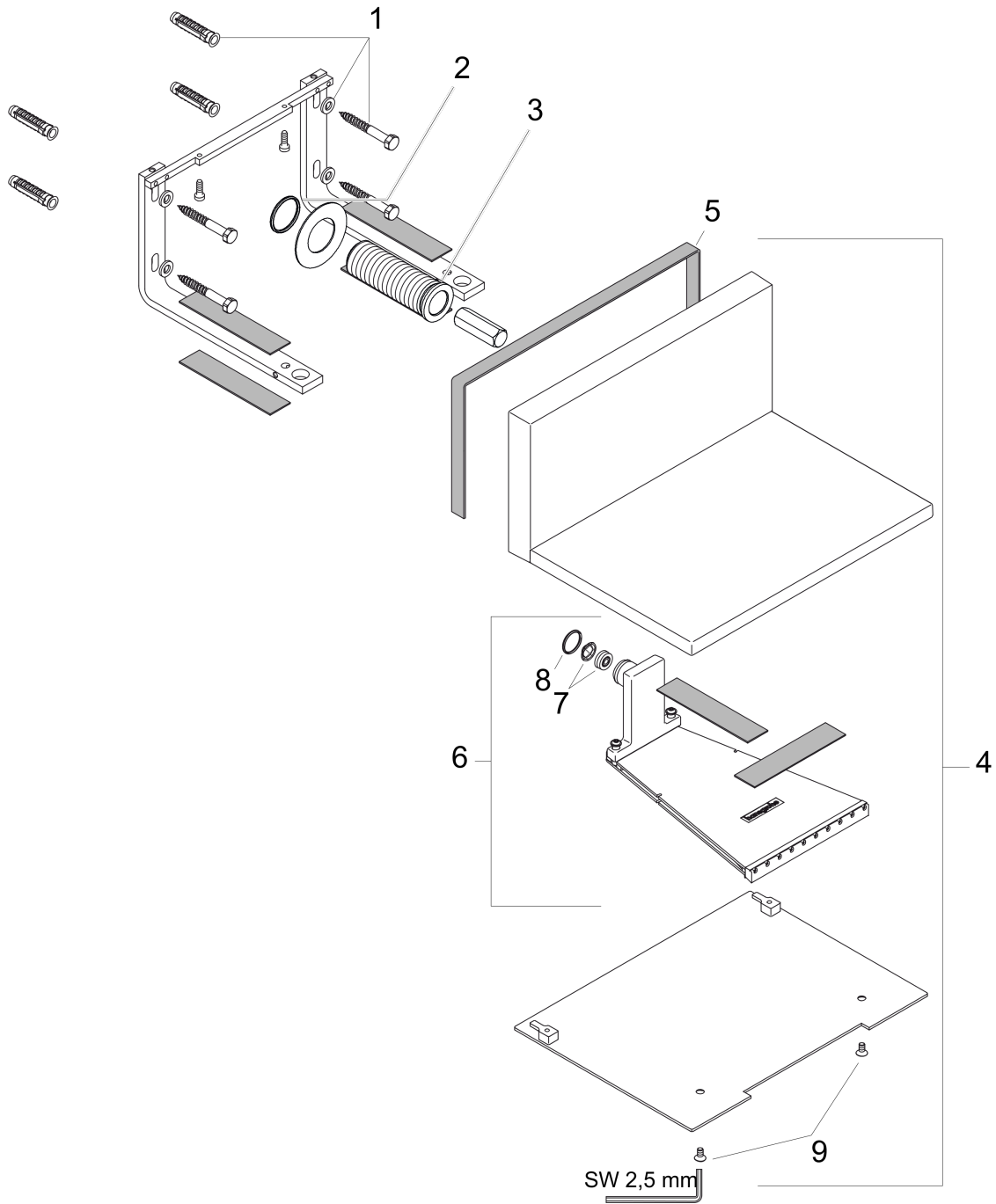


AXOR ShowerSolutions
Tube Spout Trim 10" x 5"
 Finish: **chrome** Part no. : **10942001**



Exploded drawing

Year of production: >12/11



AXOR ShowerSolutions
Tube Spout Trim 10" x 5"
 Finish: **chrome** Part no. : **10942001**



Spare parts list

Year of production: >12/11

Pos.	Description	Part no.	Price	PU
1	mounting kit	95430000	-	1
2	O-ring 24x2	98388000	-	1
3	connecting thread G $\frac{3}{4}$	95886000	-	1
4	spout cpl.	95882000	-	1
5	seal	95885000	-	1
6	spray former	95883000	-	1
7	flow limiter (22 l/min)	95884000	-	1
8	O-ring 15x1,5	92118000	-	1
9	set of screws	92834000	-	1