

AXOR Urquiola
4-Hole Roman Tub Set Trim with 1.75 GPM Handshower
 Finish: **chrome** Part no. : **11446001**



Description

Features

- Max. flow: 6.0 GPM (22.7 L/Min)
- Flow rate of hand shower at 3 bar: 1.75 GPM (6.6 L/Min)
- Ceramic valves hot/cold 90°
- Diverter with automatic resetting
- Integrated double backflow prevention

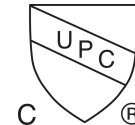
Item details

List Price \$ 2,622.00

Technology



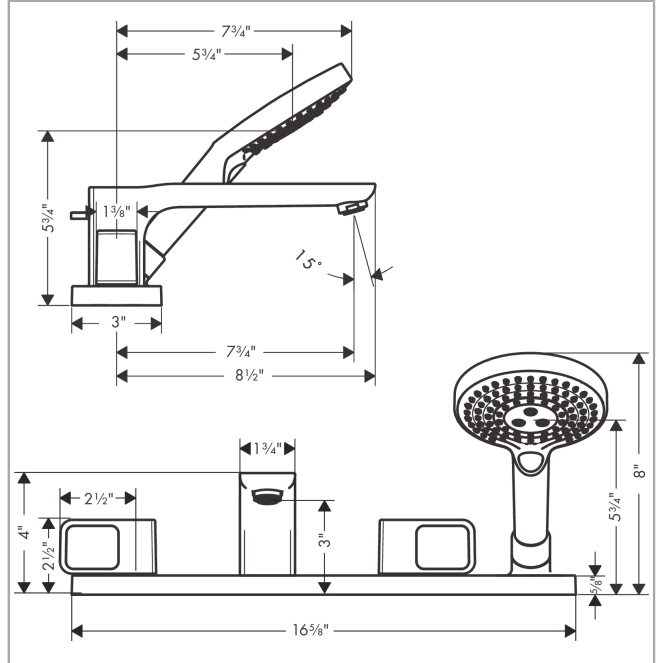
Compliance / Sustainability



Product image



Scale drawing

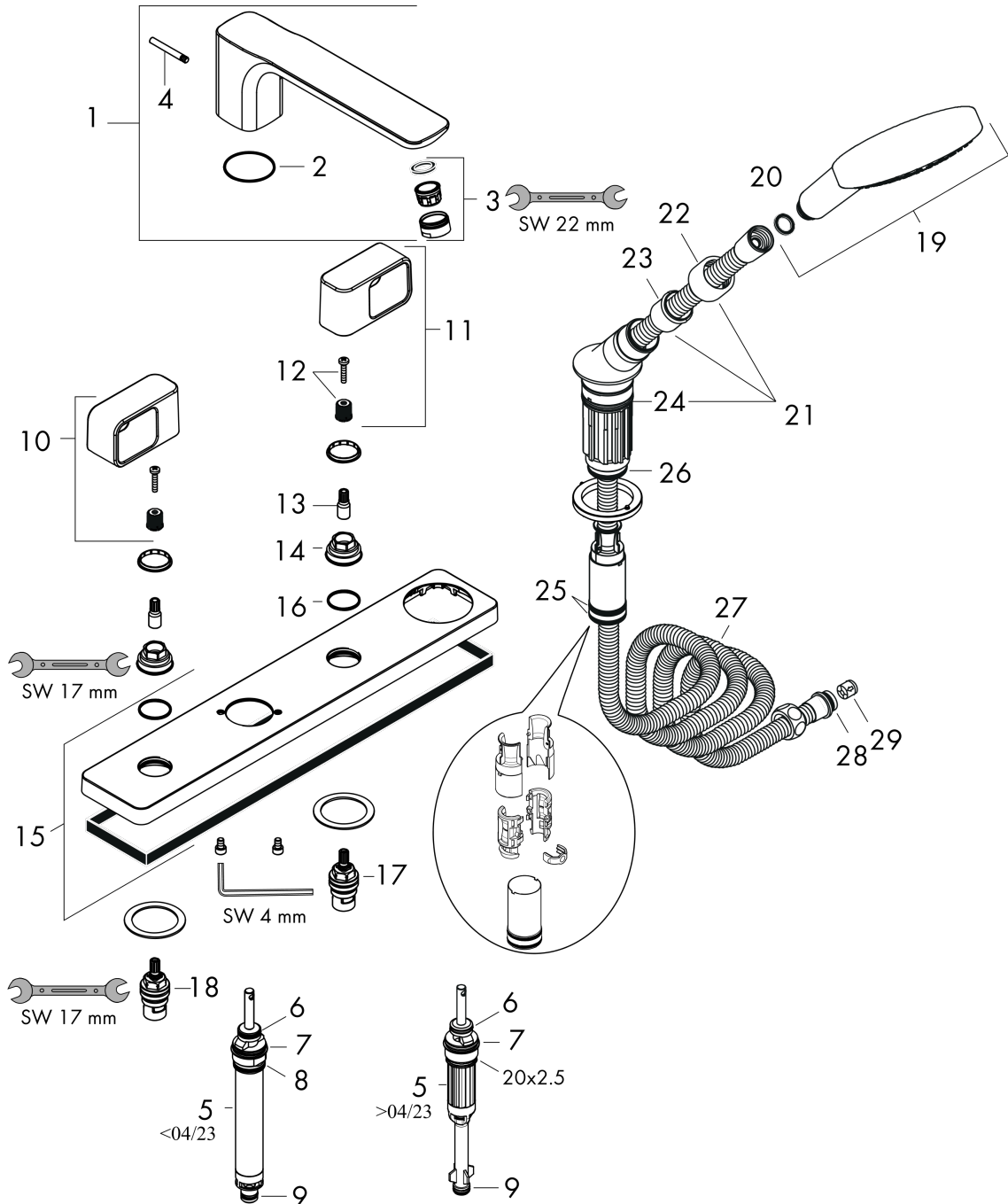


AXOR Urquiola
4-Hole Roman Tub Set Trim with 1.75 GPM Handshower
 Finish: **chrome** Part no. : **11446001**



Exploded drawing

Year of production: >07/18



AXOR Urquiola
4-Hole Roman Tub Set Trim with 1.75 GPM Handshower
 Finish: **chrome** Part no. : **11446001**



Spare parts list

Year of production: >07/18

| Pos. | Description | Part no. | Price | PU |
|------|-------------------------------|----------|-------|----|
| 1 | spout cpl. | 95613000 | - | 1 |
| 2 | O-ring 39x1,5 | 98400000 | - | 1 |
| 3 | aerator M24x1 (30 l/min) | 96512000 | - | 1 |
| 4 | diverter knob | 98707000 | - | 1 |
| 5 | selector assy | 96775000 | - | 1 |
| 6 | O-Ring 14x2,5 | 98189000 | - | 1 |
| 7 | O-Ring 22x2 | 98185000 | - | 1 |
| 8 | O-Ring 23x2,5 | 98183000 | - | 1 |
| 9 | O-ring 9x2,5 | 98217000 | - | 1 |
| 10 | handle for hot water | 95611000 | - | 1 |
| 11 | handle for cold water | 95612000 | - | 1 |
| 12 | handle fixing set | 98932000 | - | 1 |
| 13 | adapter for handle | 95615000 | - | 1 |
| 14 | nut | 95610000 | - | 1 |
| 15 | escutcheon | 95614000 | - | 1 |
| 16 | O-ring 24x1,5 | 98434000 | - | 1 |
| 17 | shut off unit left closing | 94008000 | - | 1 |
| 18 | shut off unit right closing | 94009000 | - | 1 |
| 19 | handshower | 26052001 | - | 1 |
| 20 | filter packing | 94246000 | - | 1 |
| 21 | shower holder, assy | 95996000 | - | 1 |
| 22 | nut | 97584000 | - | 1 |
| 23 | insert for shower holder | 96942000 | - | 1 |
| 24 | O-ring 38x2,5 | 98198000 | - | 1 |
| 25 | O-Ring 28x2 | 98194000 | - | 1 |
| 26 | hose brake | 98656000 | - | 1 |
| 27 | shower hose 2,00 m | 94148000 | - | 1 |
| 28 | O-ring 11x2 | 98127000 | - | 1 |
| 29 | back flow preventor cartridge | 94146000 | - | 1 |