

AXOR Urquiola
Thermostatic Trim with Volume Control and Diverter
 Finish: **chrome** Part no. : **11733001**



Description

Features

- Volume control and diverter for 2 functions
- Thermostatic cartridge, Shut-off/ diverter valve
- Max. flow: 7.0 GPM (26.5 L/Min)
- Anti-scald 100° safety stop

Item details

List Price \$ 1,425.00

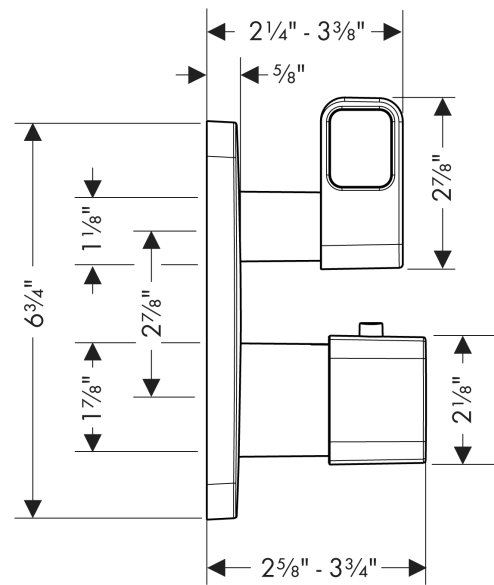
Compliance / Sustainability



Product image



Scale drawing

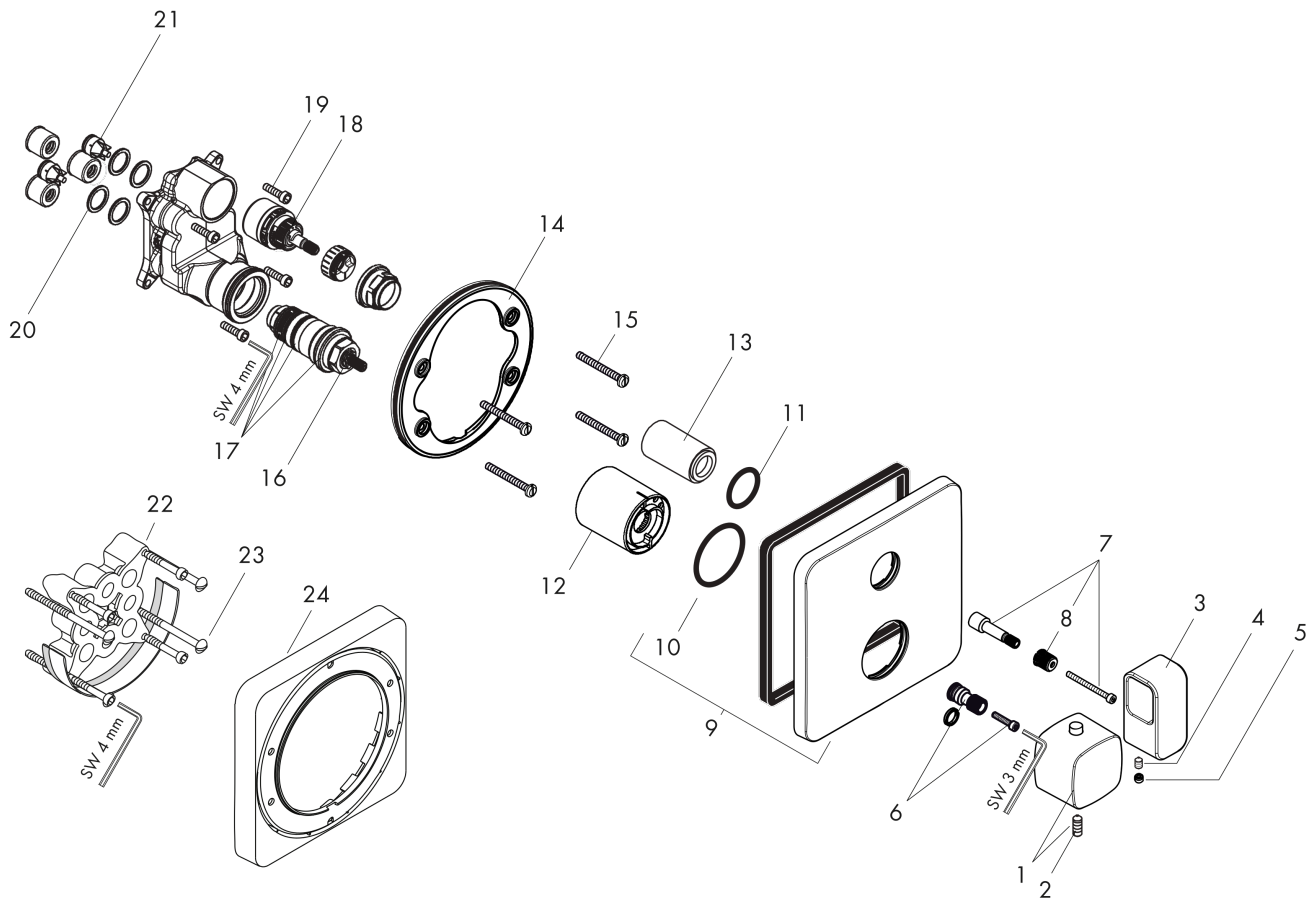


AXOR Urquiola
Thermostatic Trim with Volume Control and Diverter
 Finish: **chrome** Part no. : **11733001**



Exploded drawing

Year of production: >06/13



AXOR Urquiola
Thermostatic Trim with Volume Control and Diverter
 Finish: **chrome** Part no. : **11733001**



Spare parts list

Year of production: >06/13

Pos.	Description	Part no.	Price	PU
1	handle for thermostat	11791000	-	1
2	hollow set screw M5x16	97666000	-	1
3	handle	95176000	-	1
4	hollow set screw M4x8	97669000	-	1
5	screw cover	95181000	-	1
6	adapter for handle	96435000	-	1
7	adapter for handle	95252000	-	1
8	handle fixing set	98932000	-	1
9	escutcheon	95174000	-	1
10	O-Ring 48x3	95508000	-	1
11	O-ring 29x3	98371000	-	1
12	sleeve	96439000	-	1
13	sleeve	95253000	-	1
14	holder for escutcheon	98793000	-	1
15	set of fixing screws	96454000	-	1
16	thermostat cartridge	94282000	-	1
17	sealing set	95037000	-	1
18	shut off unit with selector	98283000	-	1
19	set of screws	96525000	-	1
20	O-ring 16x2	98133000	-	1
21	set of non return valves DW 15	97350000	-	1
22	extension 25 mm	13595000	-	1
23	set of fixing screws	97747000	-	1
24	extension 22 mm	98860000	-	1