

Metris C
Tub Spout
 Finish: **brushed nickel** Part no. : **13413821**



Description

Features

- Max. flow: 5.68 GPM
- Solid Brass
- Includes: 1/2" female and 3/4" male adaptor

Item details

List Price \$ 278.00

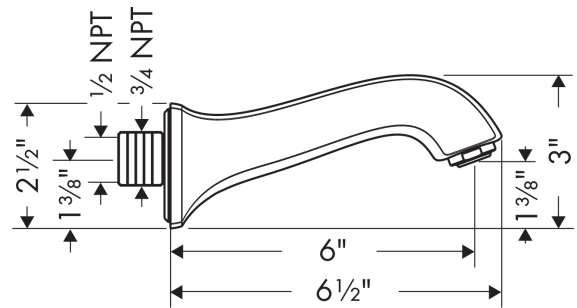
Compliance / Sustainability



Product image



Scale drawing

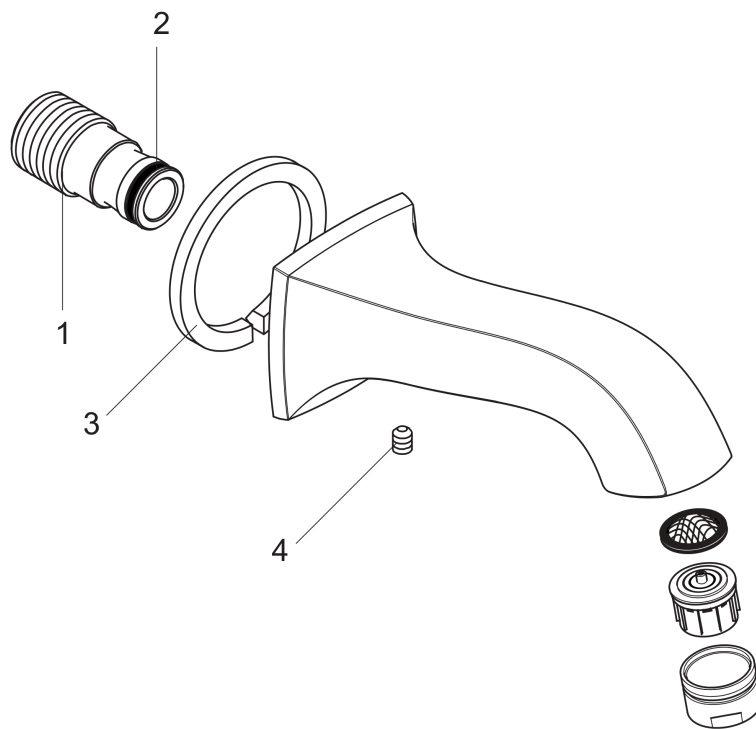


Metris C
Tub Spout
 Finish: **brushed nickel** Part no. : **13413821**



Exploded drawing

Year of production: >04/09



Metris C

Tub Spout

Finish: **brushed nickel** Part no. : **13413821**



Spare parts list

Year of production: >04/09

Pos.	Description	Part no.	Price	PU
1	connecting thread	95658001	-	1
2	O-ring 13x2	98128000	-	1
3	seal	97530000	-	1
4	hollow set screw M6x8	97810000	-	1
a	aerator M24x1 (25 l/min)	13914820	-	1