

**Talis S<sup>2</sup>**  
**HighArc Kitchen Faucet 2-Spray Pull-Down, 1.75 GPM**  
 Finish: **brushed gold optic** Part no. : **14877251**



**Description**

**Features**

- Swivel range 150°
- Aerated spray, needle spray, Shower spray pattern
- Non-locking spray diverter
- MagFit magnetic sprayhead docking
- Deck mounted
- Max. flow: 1.75 GPM (6.6 L/Min)
- Ceramic cartridge
- 3/8" connections
- Integrated double backflow prevention
- Extension length up to 19 5/8" (50cm)
- Single lever kitchen mixer, connection hoses, Fastening set, Assembly instructions

**Item details**

List Price \$ 1,061.00

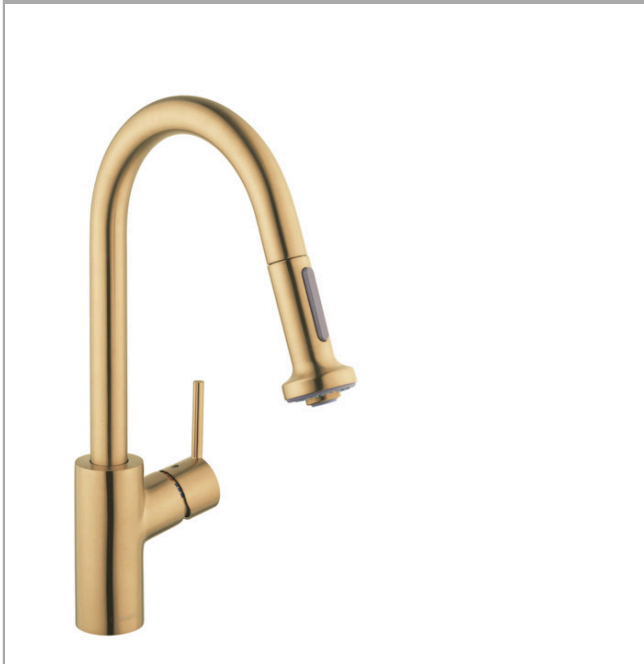
**Technology**



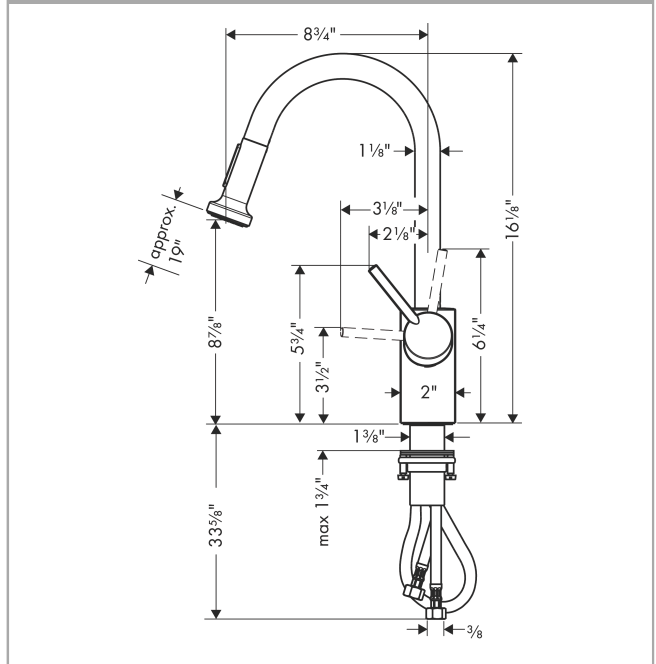
**Compliance / Sustainability**



**Product image**



**Scale drawing**

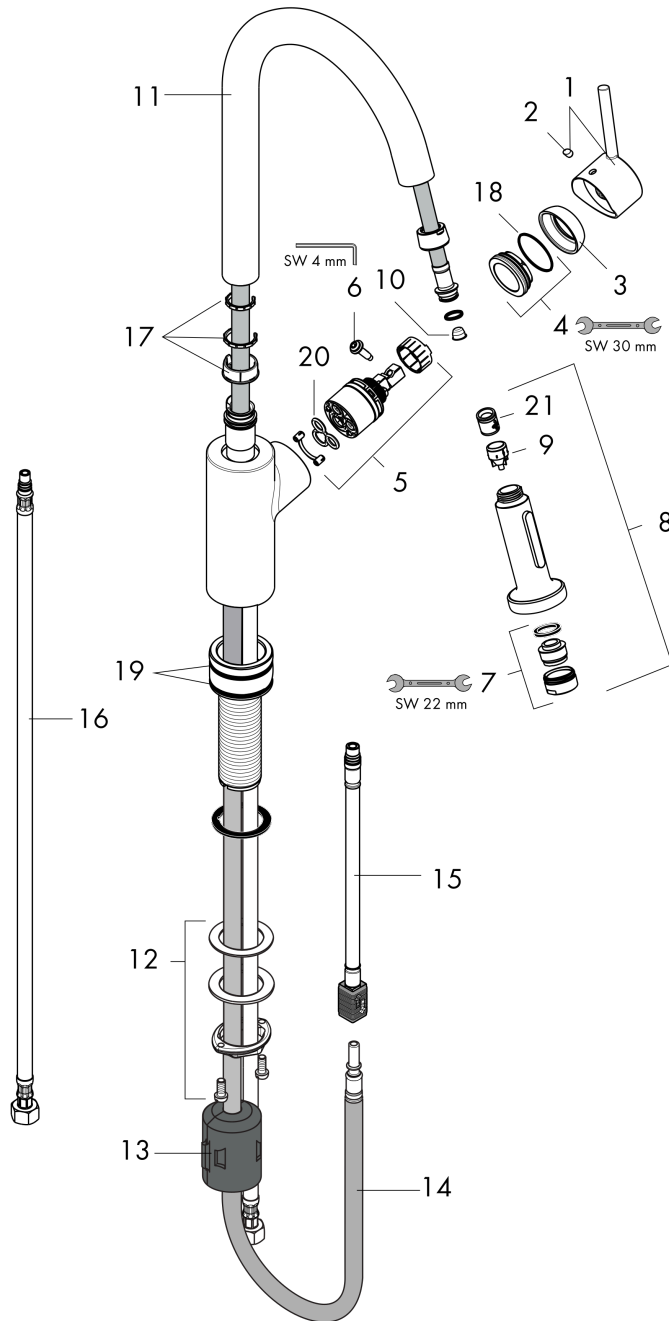


**Talis S<sup>2</sup>**  
**HighArc Kitchen Faucet 2-Spray Pull-Down, 1.75 GPM**  
 Finish: **brushed gold optic** Part no. : **14877251**



Exploded drawing

Year of production: >02/20



**Talis S<sup>2</sup>**  
**HighArc Kitchen Faucet 2-Spray Pull-Down, 1.75 GPM**  
 Finish: **brushed gold optic** Part no. : **14877251**



## Spare parts list

Year of production: >02/20

Pos.	Description	Part no.	Price	PU
1	handle	95560250	-	1
2	screw cover	96338000	-	1
3	flange	95498250	-	1
4	nut	97209000	-	1
5	cartridge, assy	92730000	-	1
6	locking screw for handle	95140000	-	1
8	handspray	88659250	-	1
9	set of non return valves DW 15	97350000	-	1
10	filter	97735000	-	1
11	spout cpl.	95562250	-	1
12	fixing set (Ø 34)	95049000	-	1
13	weight	98551000	-	1
14	hose 1,50 m	88624000	-	1
15	connection hose 600 mm M10x1	95561000	-	1
19	O-ring 37x2	92115000	-	1
20	seal	95008000	-	1
21	non return valve	93218000	-	1
a	support	97523000	-	1
b	lever collar	97548000	-	1