

**Ecostat Square
Pressure Balance Trim**

Finish: **chrome** Part no. : **15724001**



Description

Features

- Temperature and on/off control for 1 outlet
- Max. flow: 5.44 GPM (20.6 L/Min)
- Integrated bypass for use with diverter tub spouts
- Connection type: Rough

Item details

List Price \$ 262.00

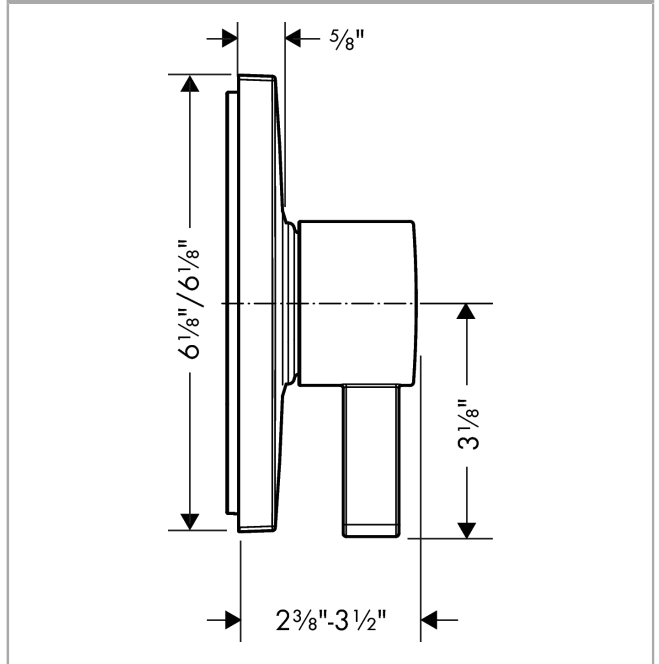
Compliance / Sustainability



Product image



Scale drawing

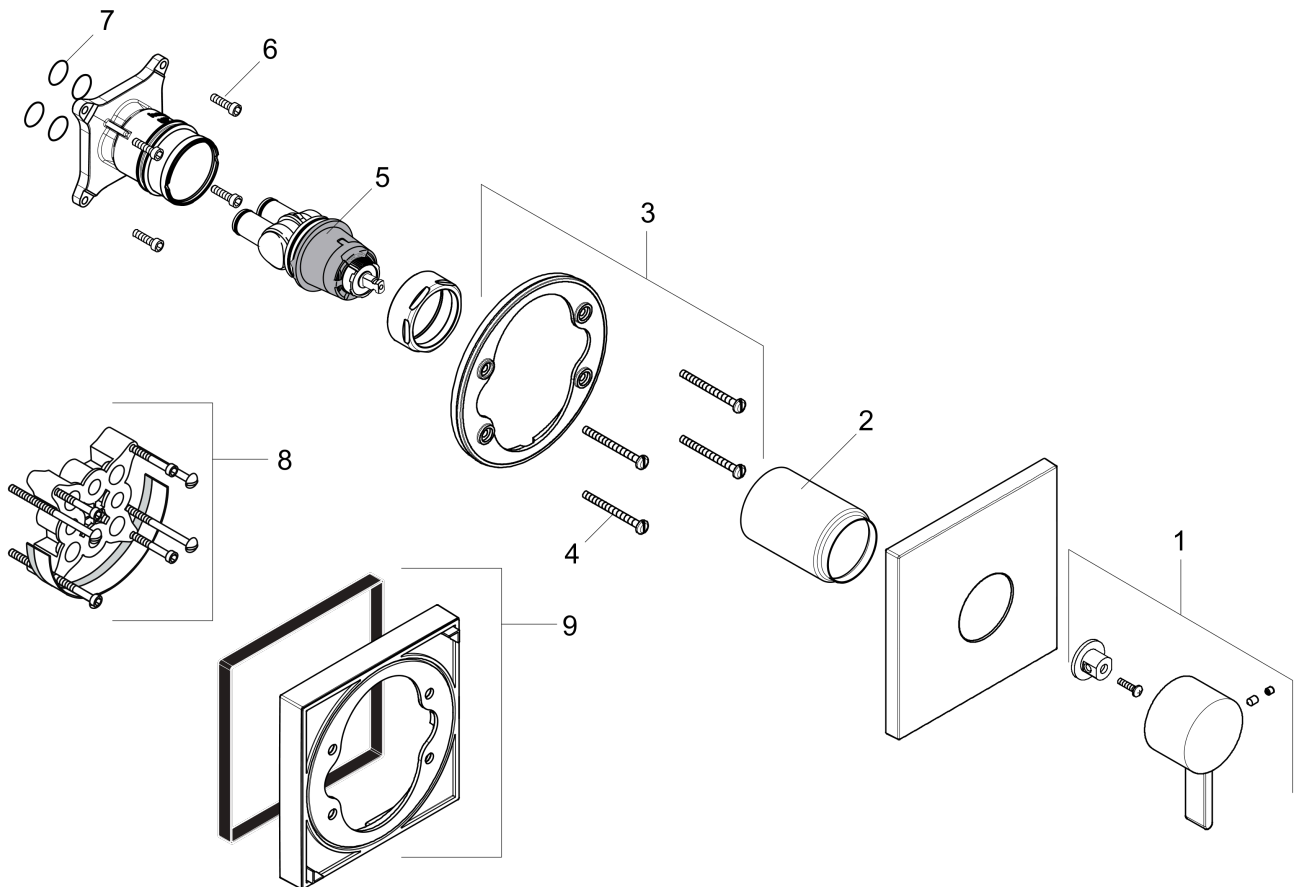


Ecostat Square
Pressure Balance Trim
 Finish: **chrome** Part no. : **15724001**



Exploded drawing

Year of production: >07/18



Ecostat Square
Pressure Balance Trim
 Finish: **chrome** Part no. : **15724001**



Spare parts list

Year of production: >07/18

Pos.	Description	Part no.	Price	PU
1	handle	88763000	-	1
2	sleeve	88765000	-	1
3	holder for escutcheon	98793000	-	1
4	set of fixing screws	96454000	-	1
5	cartridge, assy	88727000	-	1
6	set of screws	96525000	-	1
7	O-ring 16x2	98133000	-	1
8	extension 25 mm	13595000	-	1
9	extension 22 mm	13593000	-	1