

**Ecostat Square  
Pressure Balance Trim**

Finish: **brushed nickel** Part no. : **15724821**



**Description**

**Features**

- Temperature and on/off control for 1 outlet
- Max. flow: 5.44 GPM (20.6 L/Min)
- Integrated bypass for use with diverter tub spouts
- Connection type: Rough

**Item details**

List Price \$ 345.00

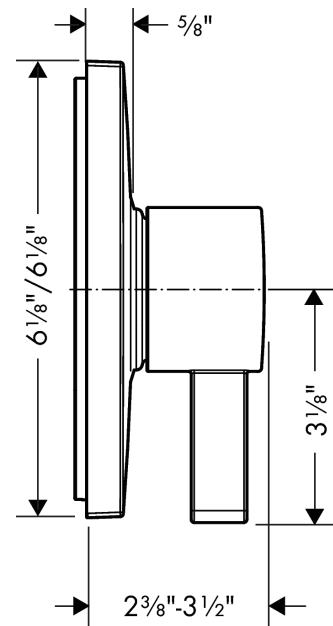
**Compliance / Sustainability**



**Product image**



**Scale drawing**



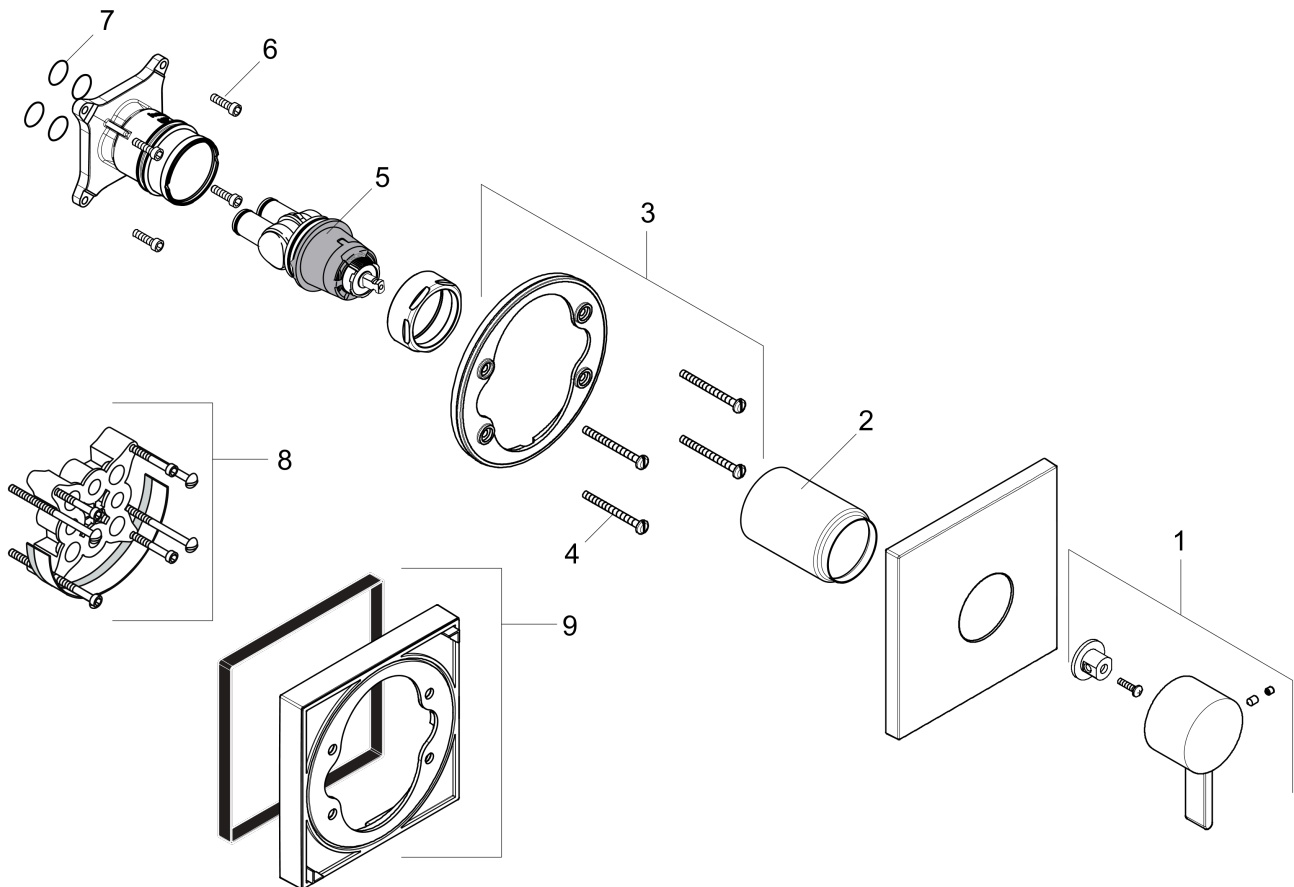
**Ecostat Square**  
**Pressure Balance Trim**  
 Finish: brushed nickel

Part no. : 15724821



Exploded drawing

Year of production: >07/18



**Ecostat Square  
Pressure Balance Trim**

Finish: **brushed nickel** Part no. : **15724821**



**Spare parts list**

Year of production: >07/18

Pos.	Description	Part no.	Price	PU
1	handle	88763820	-	1
2	sleeve	88765820	-	1
3	holder for escutcheon	98793000	-	1
4	set of fixing screws	96454000	-	1
5	cartridge, assy	88727000	-	1
6	set of screws	96525000	-	1
7	O-ring 16x2	98133000	-	1
8	extension 25 mm	13595000	-	1
9	extension 22 mm	13593820	-	1