

**Ecostat Classic**  
**Thermostatic Trim with Volume Control and Diverter, Round**  
 Finish: **brushed nickel** Part no. : **15753821**



**Description**

**Features**

- Volume control and diverter for 2 functions
- Thermostatic cartridge, Shut-off/ diverter valve
- Max. flow: 7.0 GPM (26.5 L/Min)
- Optimized for water-efficient shower products
- Anti-scald 100° safety stop

**Item details**

List Price \$ 1,057.00

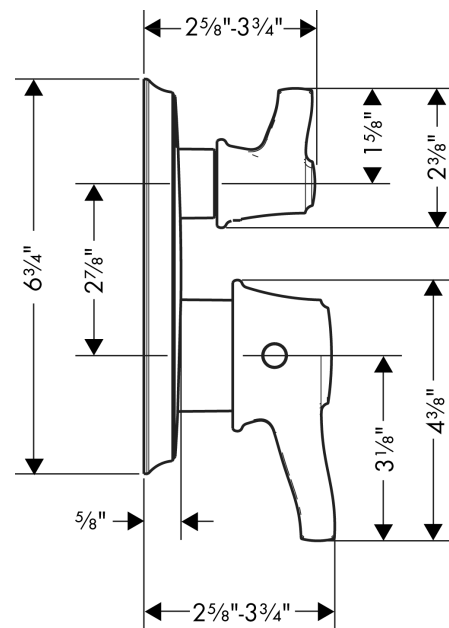
**Compliance / Sustainability**



**Product image**



**Scale drawing**

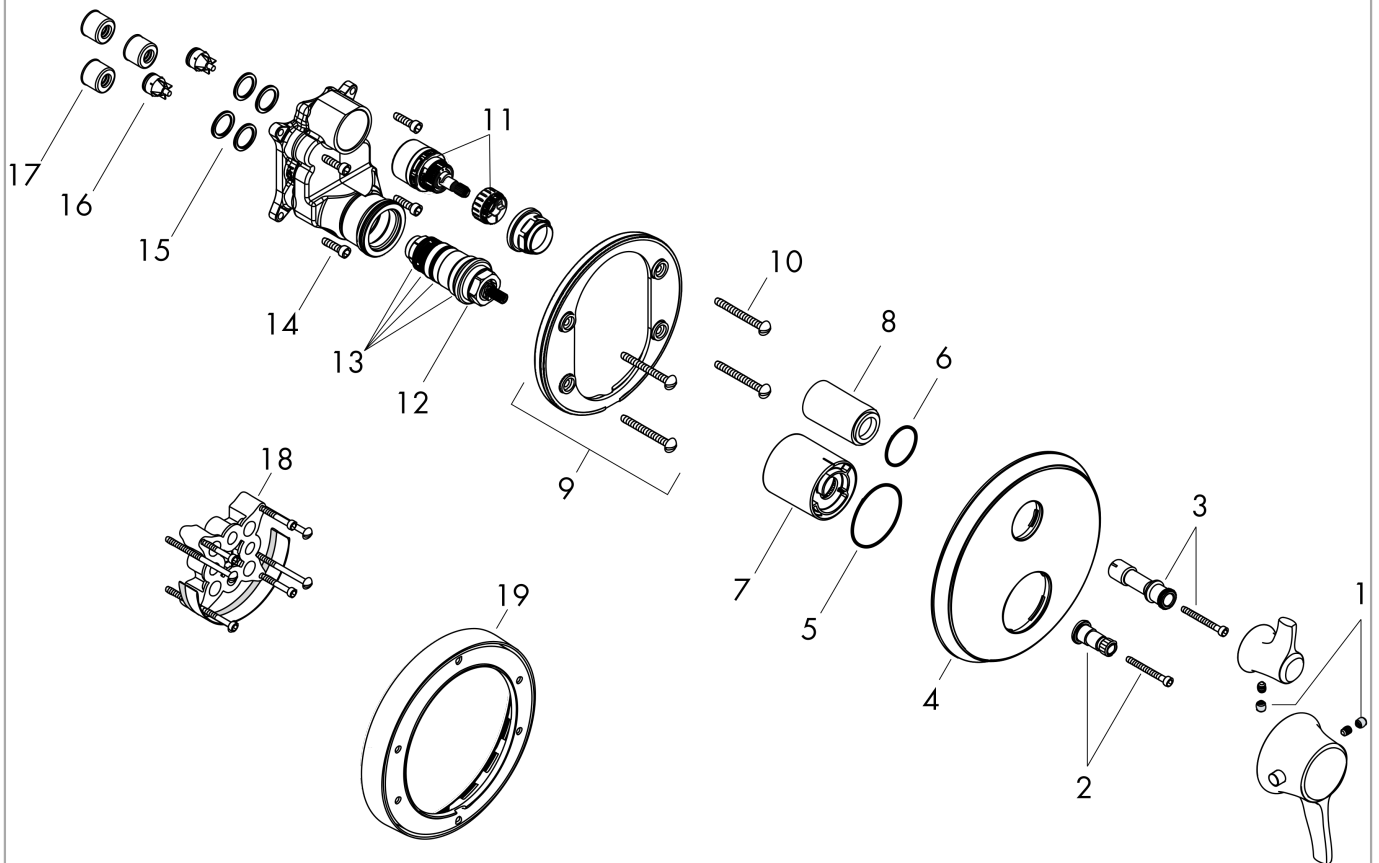


**Ecostat Classic**  
**Thermostatic Trim with Volume Control and Diverter, Round**  
 Finish: brushed nickel Part no. : 15753821



Exploded drawing

Year of production: >12/10



**Ecostat Classic**  
**Thermostatic Trim with Volume Control and Diverter, Round**  
 Finish: **brushed nickel** Part no. : **15753821**



## Spare parts list

Year of production: >12/10

Pos.	Description	Part no.	Price	PU
1	screw cover	95181000	-	1
2	adapter for handle	96435000	-	1
3	adapter for handle	88772000	-	1
4	escutcheon	95556821	-	1
5	O-Ring 48x3	95508000	-	1
6	O-ring 29x3	98371000	-	1
7	sleeve	95550820	-	1
8	sleeve	95253820	-	1
9	holder for escutcheon	98793000	-	1
10	set of fixing screws	96454000	-	1
11	shut off unit with selector	98283000	-	1
12	thermostat cartridge	94282000	-	1
13	sealing set	95037000	-	1
14	set of screws	96525000	-	1
15	O-ring 16x2	98133000	-	1
16	set of non return valves DW 15	94074000	-	1
17	noise reduction	94073000	-	1
18	extension 25 mm	13595000	-	1
19	extension 22 mm (Ø 170 mm)	13596820	-	1
a	non return valve with filter	92499000	-	1