

Specifications:

Installation:	deck mount 1-hole, single lever	
Exterior Dimensions:	H: 6" SPOUT: 5 1/2"	
Material:	solid brass construction	
Water use:	1.2 GPM	
Pop-up:	yes	
Finishes:	PS- polished brass	51- brushed brass
	PB- polished bronze	BB- brushed bronze
	CR - polished chrome	BG- brushed gold
	PN- polished nickel	NI - brushed nickel
	BK- black chrome	GM- gun metal
	TN- titanium	44 - matte black
Cutout Size:	Ø 1 3/8"	
Accessories included:	24" flexible hot/cold water supply lines, pop-up drain	



Features:

- Deck-mount single hole faucet with lever handle
- Brass construction with single ceramic disc cartridge
- Complements the Cigno Collection

Codes + Standards:

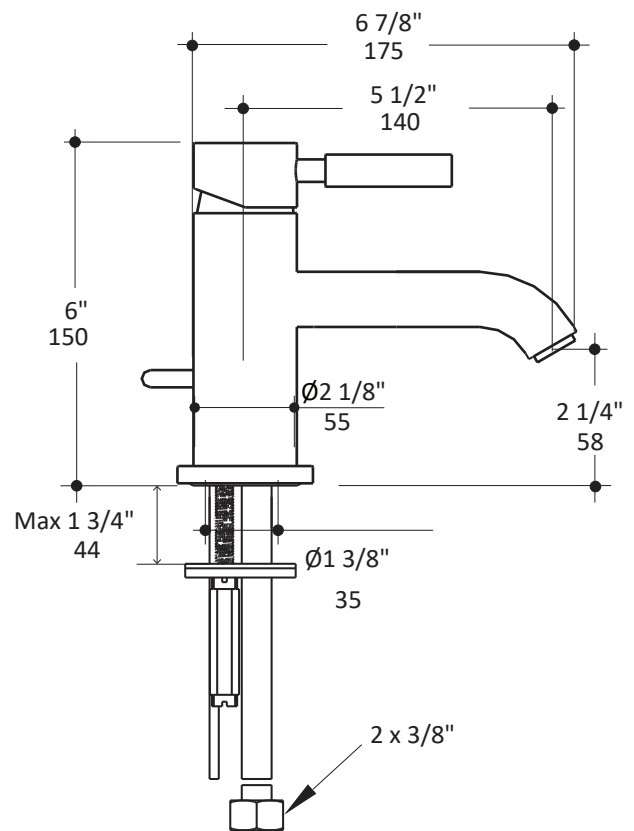
- Meets and exceeds applicable national codes and standards
 - ASME A112.18.1/CSA B125.1
 - NSF/ANSI/CAN61
 - NSF/ANSI/CAN372
 - CalGreen/CEC
- Compliant with California AB-100

ADA compliant when installed to specific requirements of this regulation



Recommended Items:

- Replacement parts:
 - 1586-C replacement ceramic disc cartridge
 - 1586-AER replacement aerator cartridge
- European drain with overflow
 - 7100-12 pop-up drain
 - 7100-16OF click-clack drain
 - 7100-13OF stationary drain



LACAVA reserves the right to revise any dimension or information on this sheet without notice. Dimensions are nominal and may vary within an industry accepted tolerance of 1/4". Drawings provided herein are meant to give the user an idea of the product and are not made to scale. Location of plumbing is meant for reference, your specific application may vary.

Revised: 3/18/2026