

Ecostat
Pressure Balance Trim SoftSquare with Diverter
 Finish: **brushed nickel** Part no. : **15864821**



Description

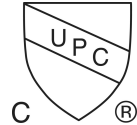
Features

- Temperature and on/off control for 2 outlets
- Outlets may be operated simultaneously
- Max. flow: 4.5 GPM (17 L/Min)
- Connection type: basic set

Item details

List Price \$ 582.00

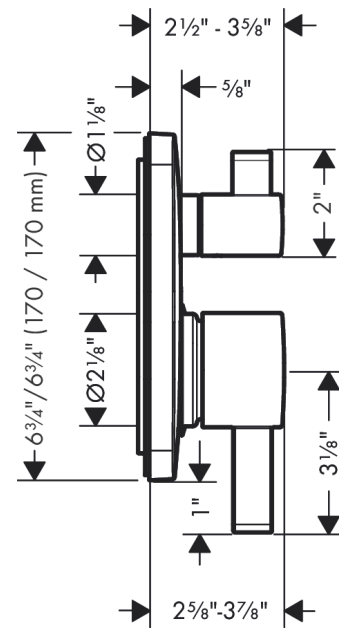
Compliance / Sustainability



Product image



Scale drawing

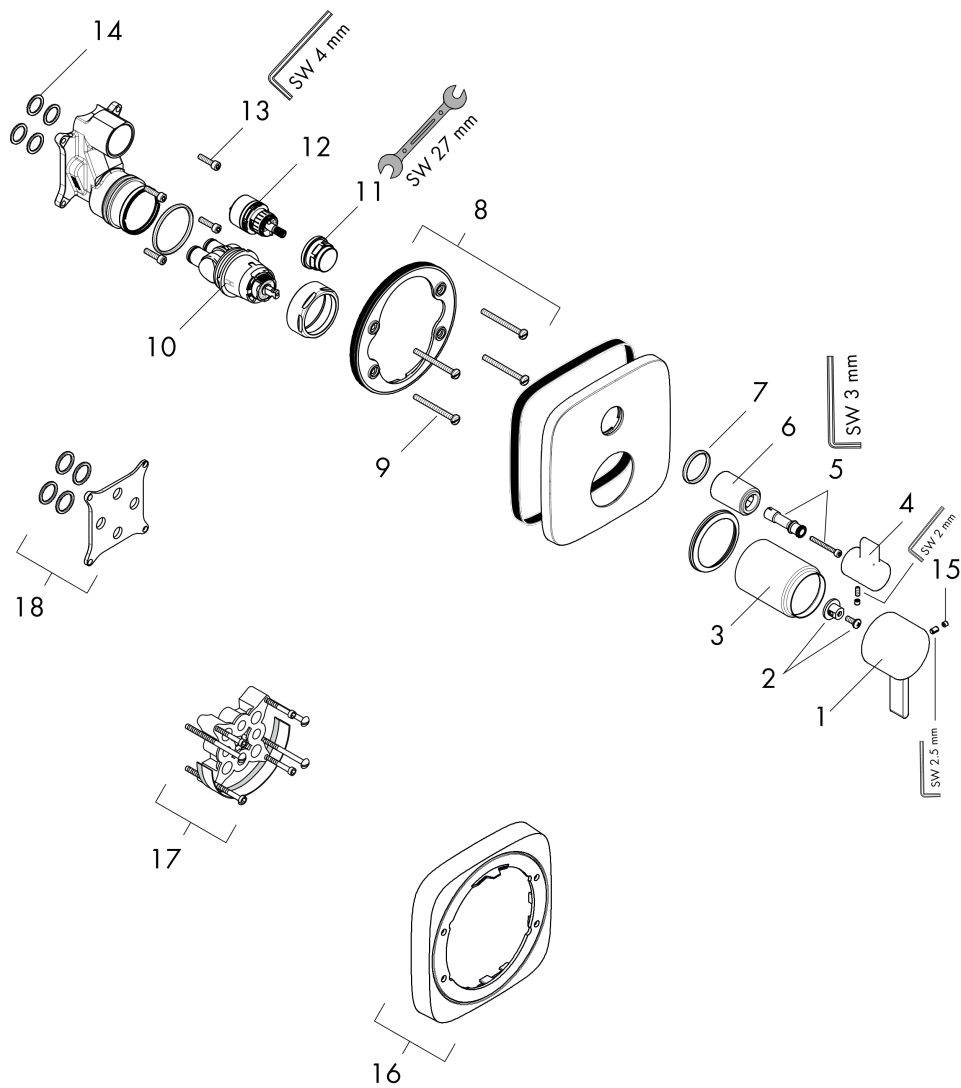


Ecostat
Pressure Balance Trim SoftSquare with Diverter
 Finish: brushed nickel Part no. : 15864821



Exploded drawing

Year of production: >03/22



Ecostat

Pressure Balance Trim SoftSquare with Diverter

Finish: **brushed nickel** Part no. : **15864821**



Spare parts list

Year of production: >03/22

Pos.	Description	Part no.	Price	PU
1	handle	88763820	-	1
2	adapter for handle	92756000	-	1
3	sleeve	88765820	-	1
4	handle for shut off unit	88767820	-	1
5	adapter for handle	88772000	-	1
6	sleeve	95253820	-	1
7	O-ring 29x3	98371000	-	1
8	holder for escutcheon	98793000	-	1
9	set of fixing screws	96454000	-	1
10	cartridge, assy	88727000	-	1
11	nut	95255000	-	1
12	shut off unit	95800000	-	1
13	set of screws	96525000	-	1
14	O-ring 16x2	98133000	-	1
15	screw cover	95181000	-	1
16	extension 22 mm	15597820	-	1
17	extension 25 mm	13595000	-	1
18	compensation set 1°	95521000	-	1
a	base body	01850181	-	1