

**AXOR Montreux  
Pressure Balance Trim**

Finish: **brushed nickel** Part no. : **16508821**



**Description**

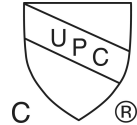
**Features**

- Temperature and on/off control for 1 outlet
- Max. flow: 5.44 GPM (20.6 L/Min)
- Integrated bypass for use with diverter tub spouts

**Item details**

List Price \$ 878.00

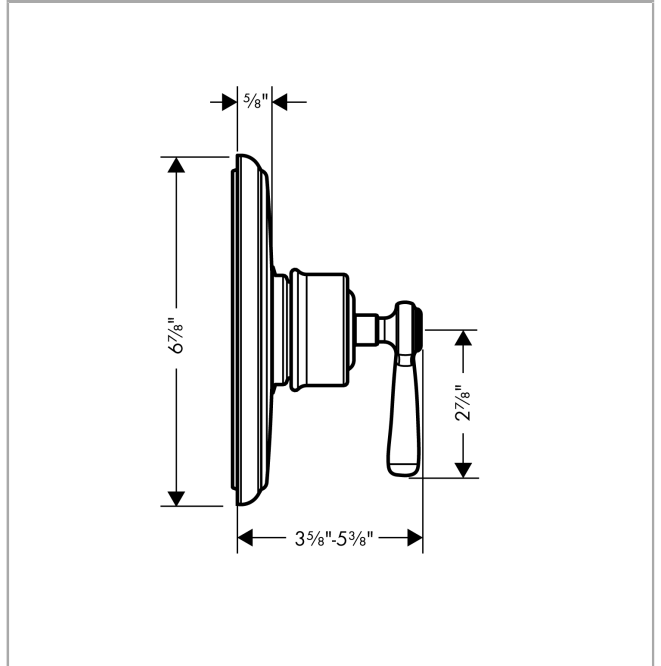
**Compliance / Sustainability**



**Product image**



**Scale drawing**



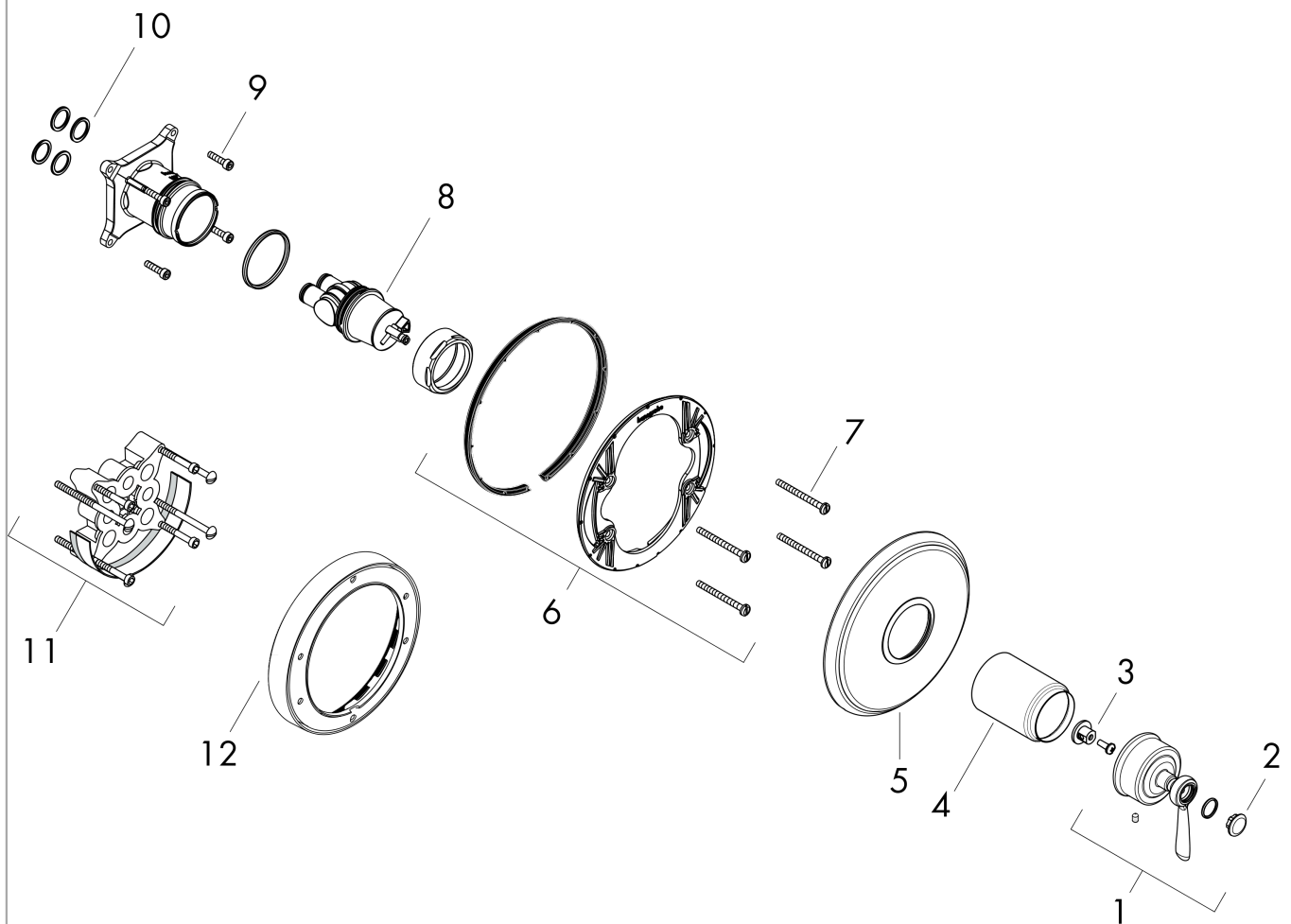
**AXOR Montreux**  
**Pressure Balance Trim**  
 Finish: brushed nickel

Part no. : 16508821



Exploded drawing

Year of production: >05/09



**AXOR Montreux  
Pressure Balance Trim**

Finish: **brushed nickel** Part no. : **16508821**



### Spare parts list

Year of production: >05/09

Pos.	Description	Part no.	Price	PU
1	handle	88776820	-	1
2	set of screw covers, cold / hot water / neutral	97987000	-	1
3	adapter for handle	92756000	-	1
4	sleeve	88765820	-	1
5	sub plate	96447000	-	1
6	set of fixing screws	96454000	-	1
7	cartridge, assy	88727000	-	1
8	set of screws	96525000	-	1
9	O-ring 16x2	98133000	-	1
10	extension 22 mm (Ø 170 mm)	13596820	-	1
11	extension 25 mm	13595000	-	1
12	escutcheon	88777820	-	1
a	base body	01850181	-	1