

AXOR Montreux
Rough, 2-Handle Freestanding Tub Filler
 Finish: Part no. : **16549181**



Description

Features

- Connection thread: 1/2" NPT

Item details

List Price \$ 1,439.00

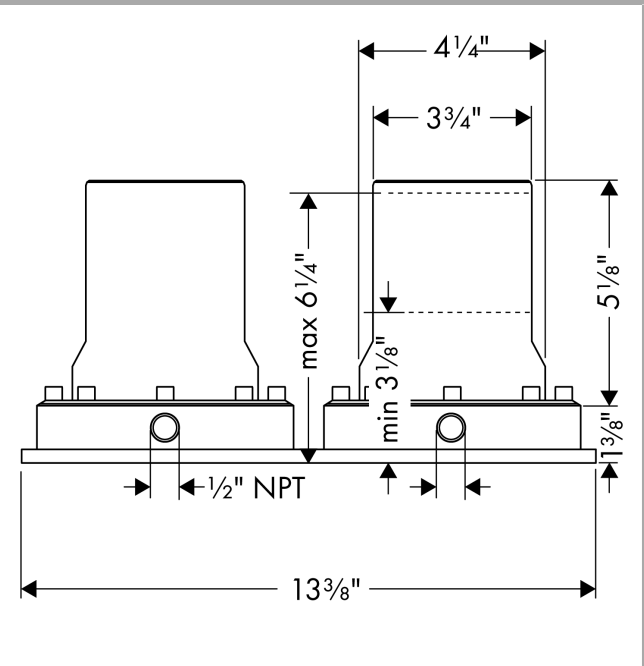
Compliance / Sustainability



Product image



Scale drawing

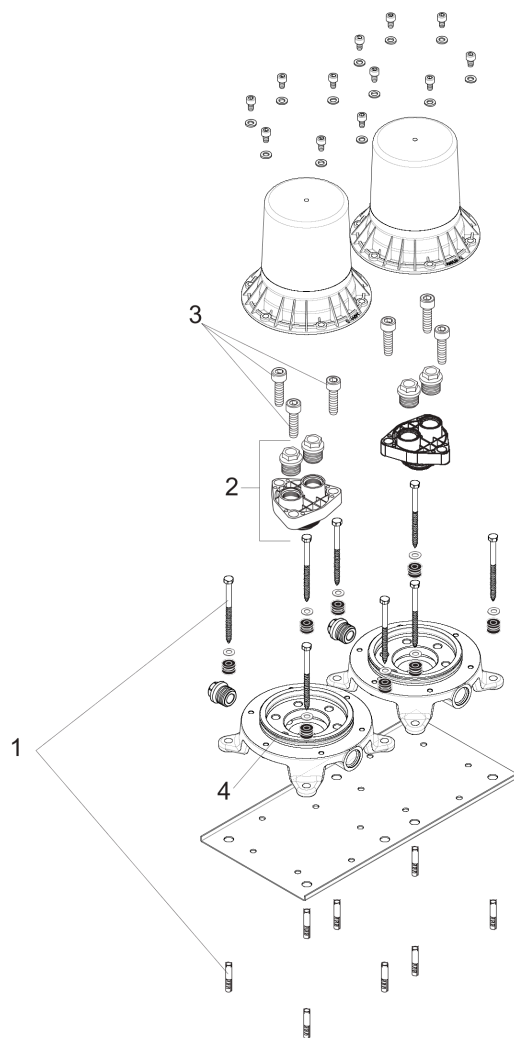


AXOR Montreux
Rough, 2-Handle Freestanding Tub Filler
 Finish: Part no. : **16549181**



Exploded drawing

Year of production: >06/06



AXOR Montreux
Rough, 2-Handle Freestanding Tub Filler
 Finish: Part no. : **16549181**



Spare parts list

Year of production: >06/06

Pos.	Description	Part no.	Price	PU
1	mounting kit	96260000	-	1
2	flushing unit complete	96459000	-	1
3	hexagon socket screw M10x35	97670000	-	1
4	O-ring 99x3,5	92154000	-	1
a	hexagon socket screw M6x10	92847000	-	1