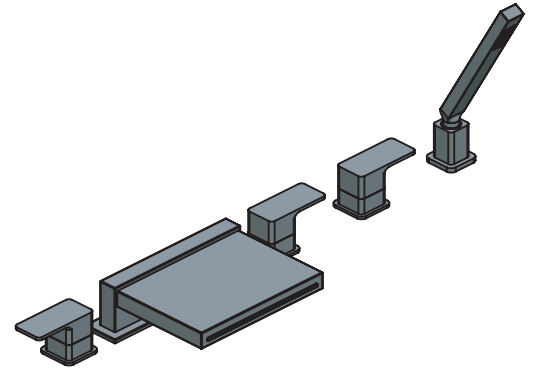


Installation Manual For 196.2420CF

5-Hole Deck Mount Cascade Sheet Flow Roman Tub Filler



NOTICE TO HOMEOWNER

- We recommend that this product is installed by a qualified professional plumber.
- Please check this product immediately to ensure that it has not been damaged and is complete. Before installation, please make sure this product is the correct model and you have all the parts required for installation and use.
- Please flush the water system to ensure that no metal swarf, solder, and other impurities can enter the product.
- Turn off water supply before commencing work.
- Please read these instructions carefully and retain for future reference.



UNDER DECK ACCESS
PANEL IS REQUIRED FOR
MAINTENANCE AND
REPAIR OF DIVERTER
MECHANISM AND
CARTRIDGES

BEFORE YOU BEGIN

- You must observe all local plumbing laws and codes.
- Do not instal valve if it does not meet local plumbing codes.
- Shut off the main water supply.

Installation Manual For 196.2420CF

5-Hole Deck Mount Roman Cascade Sheet Flow Roman Tub Filler

TABLE OF CONTENTS

OPERATING SPECIFICATIONS	3
INSTALLING THE HOT & COLD HANDLES	4
INSTALLING THE HANDLE & DIVERTER	6
INSTALLING THE CASCADE TUB FILLER	8
INSTALLING THE HAND SHOWER	9
INSTALLING THE HOSES	10

OPERATING SPECIFICATIONS

WATER TEMPERATURE



This product is to be used with water at a temperature range of 40°F - 120°F ONLY!

WATER PRESSURE

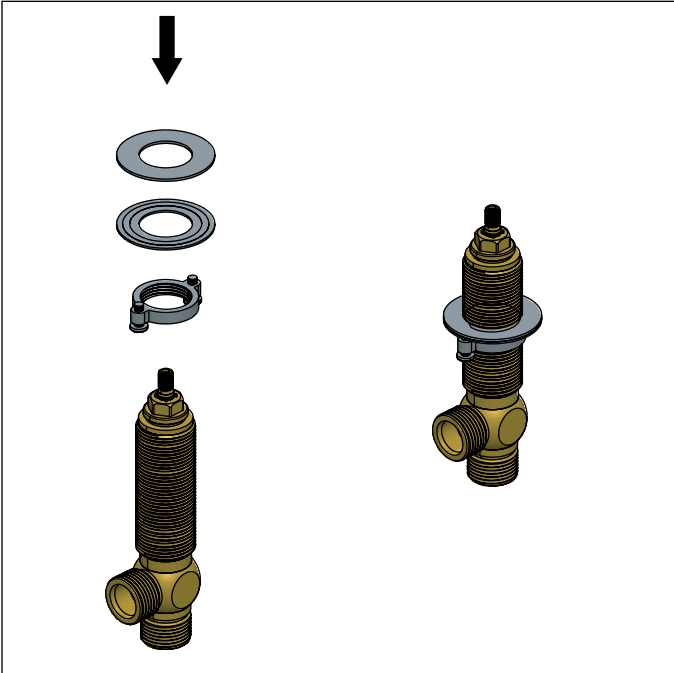


This product is to be used with a water pressure range of 15 PSI to 80 PSI ONLY

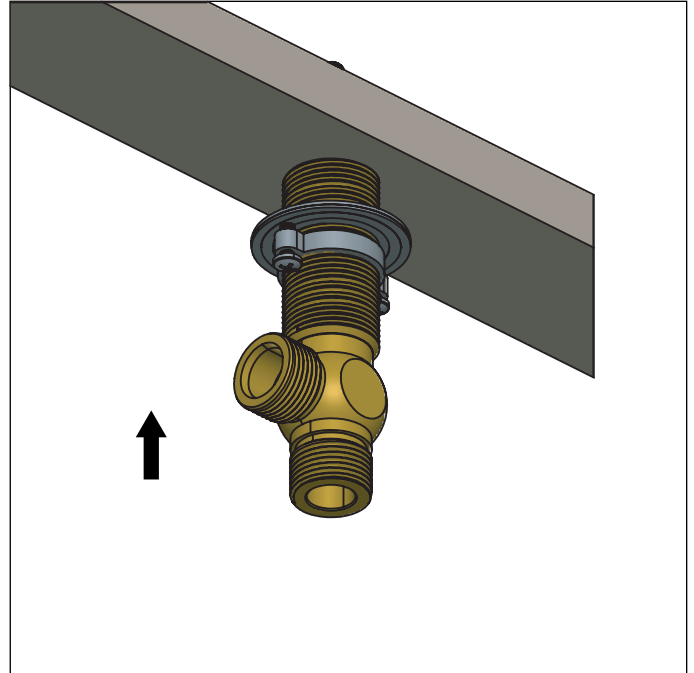
If water pressure is greater than 80 PSI, install a pressure reducer valve (PRV)

This valve meets or exceeds ANSI A112.18.1 and ASSE 1016

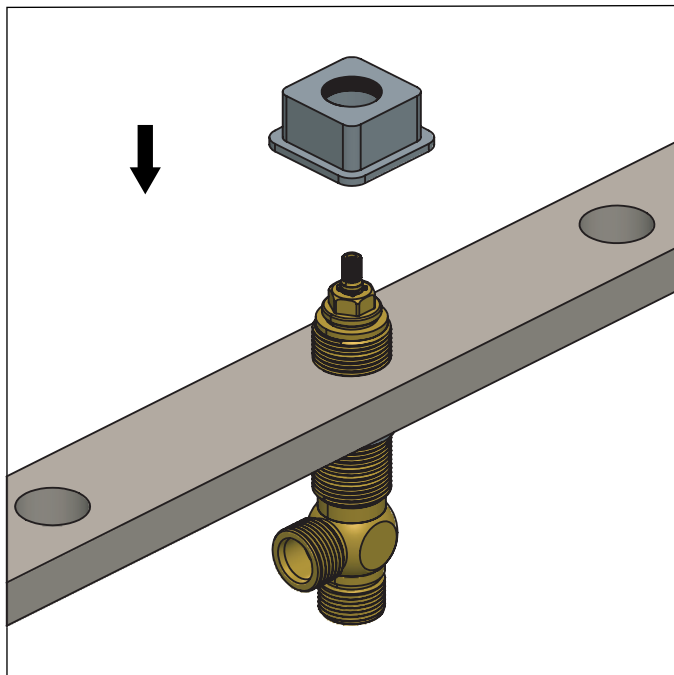
INSTALLING THE HOT & COLD HANDLES



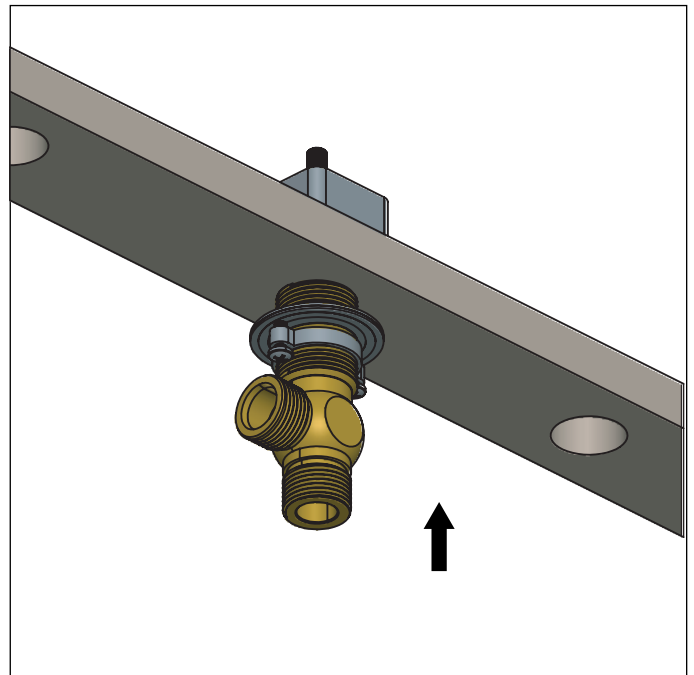
Install nut and washer onto valve. Then insert handle extension and tighten screw



Install valve into 1-3/8" hole from below the deck

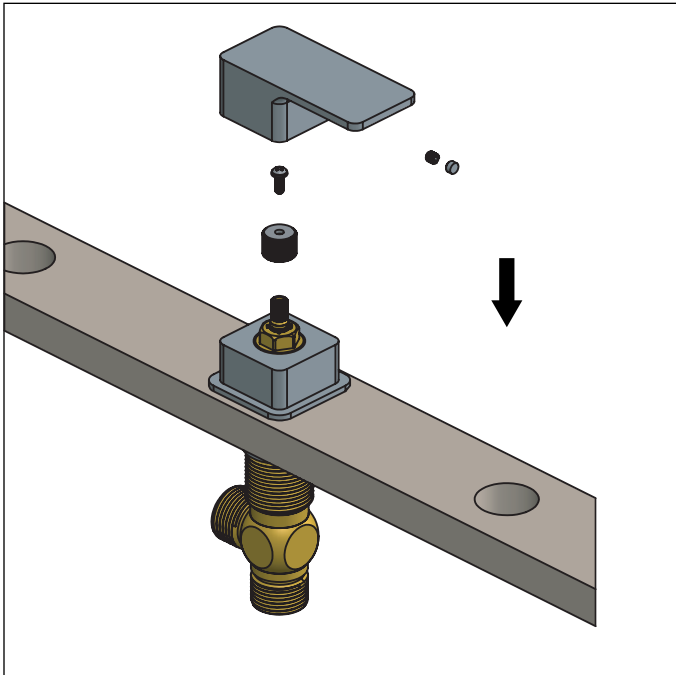


Install handle base and twist to tighten

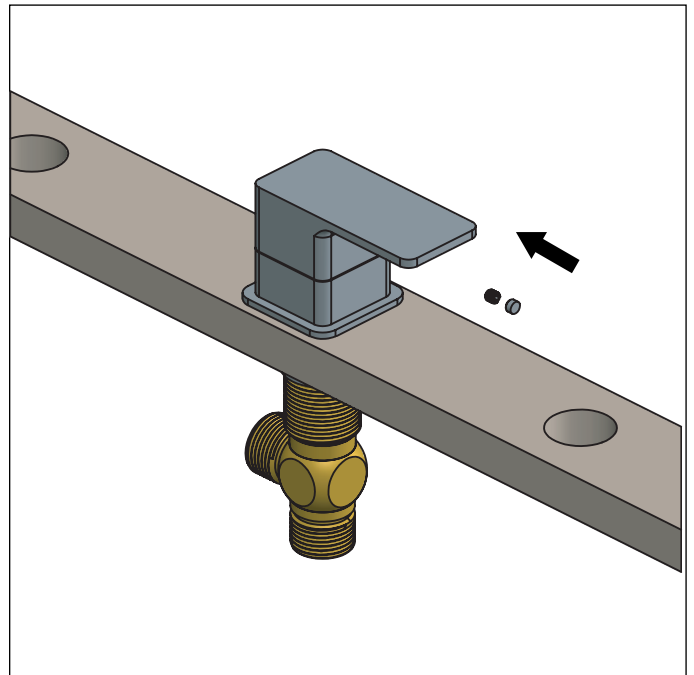


Tighten nut and washer from bottom of deck

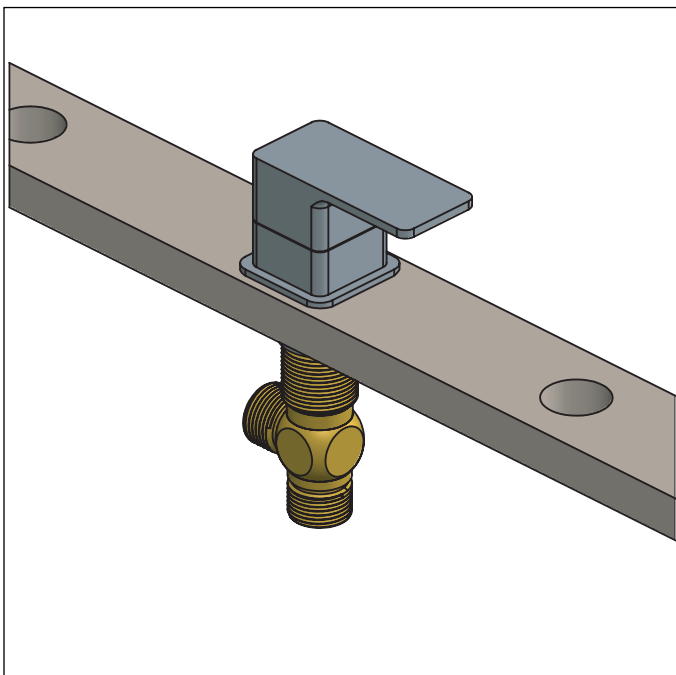
INSTALLING THE HOT & COLD HANDLES



Insert centring knob and handle

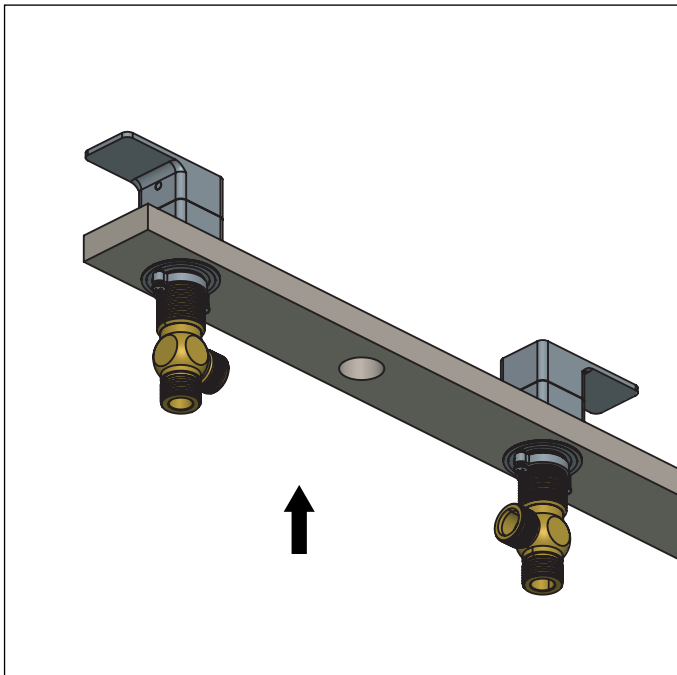


Tighten set-screw and insert plug

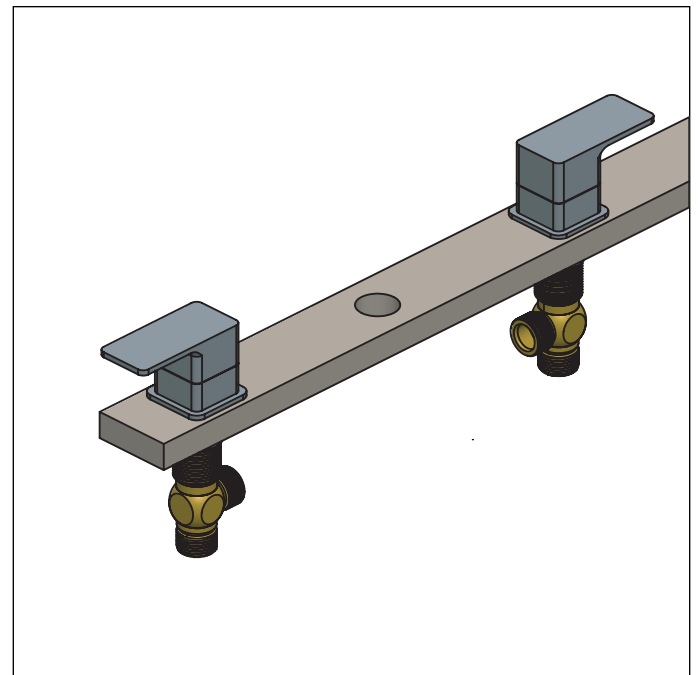


Twist to verify smooth operation

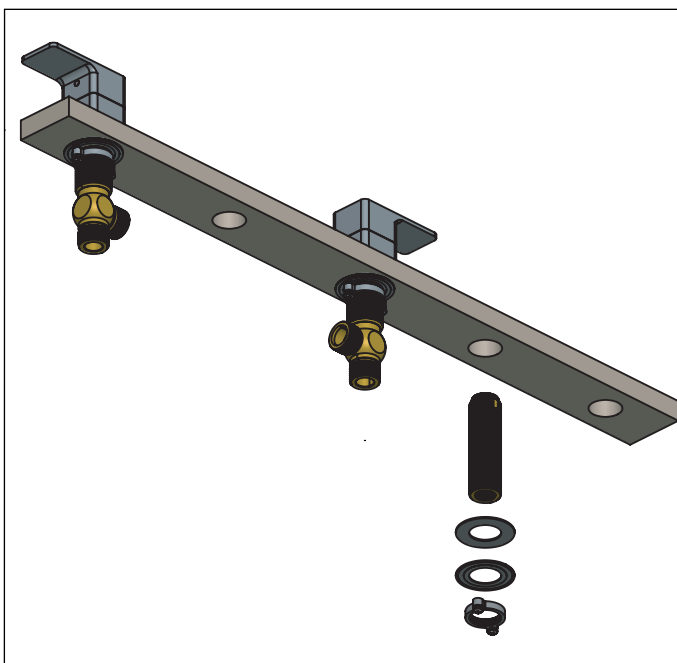
INSTALLING THE HANDLES & DIVERTER



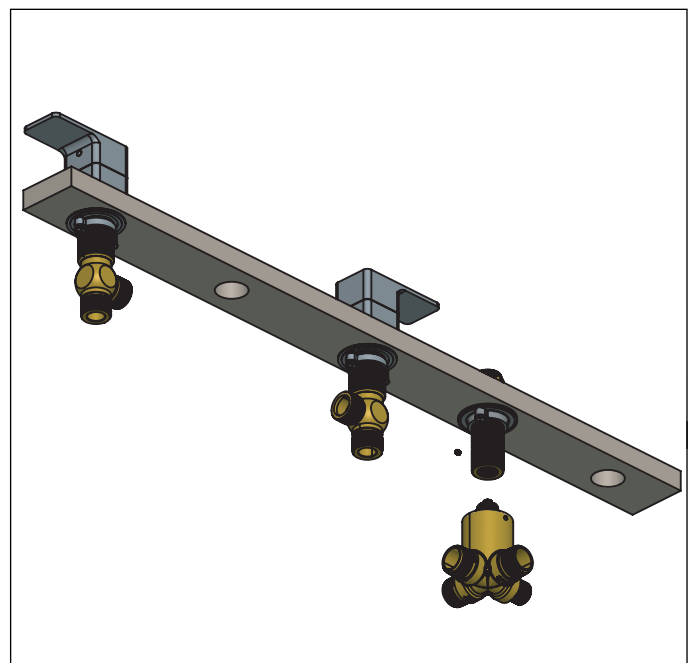
Tighten nut and washer from bottom of deck



Twist to verify smooth operation

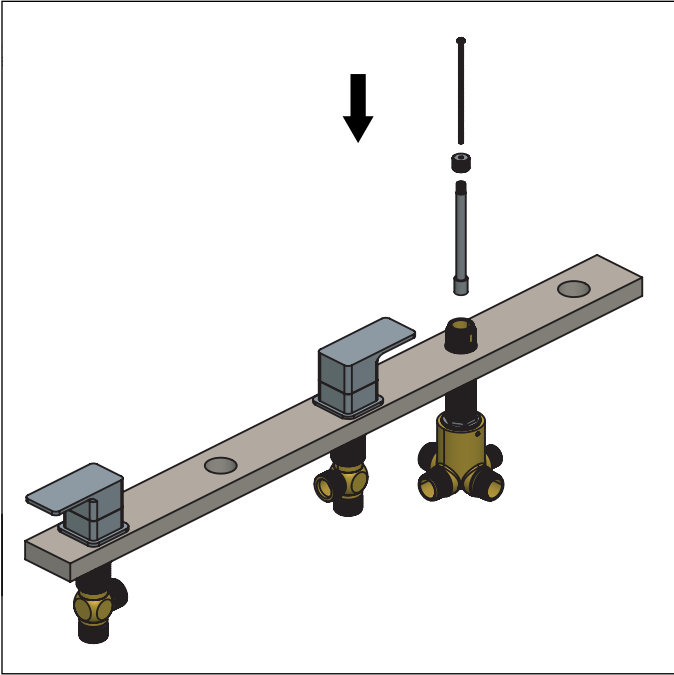


Insert diverter nut and attachment from bottom

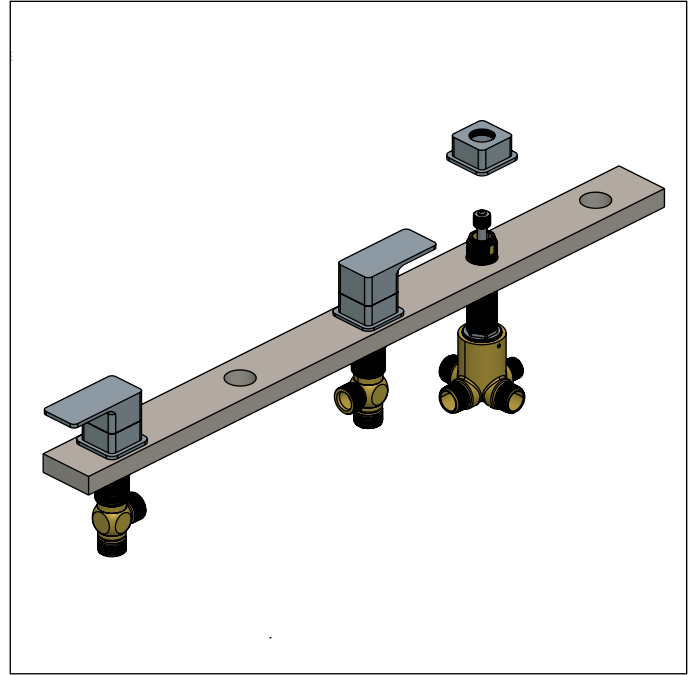


Install the diverter from bottom

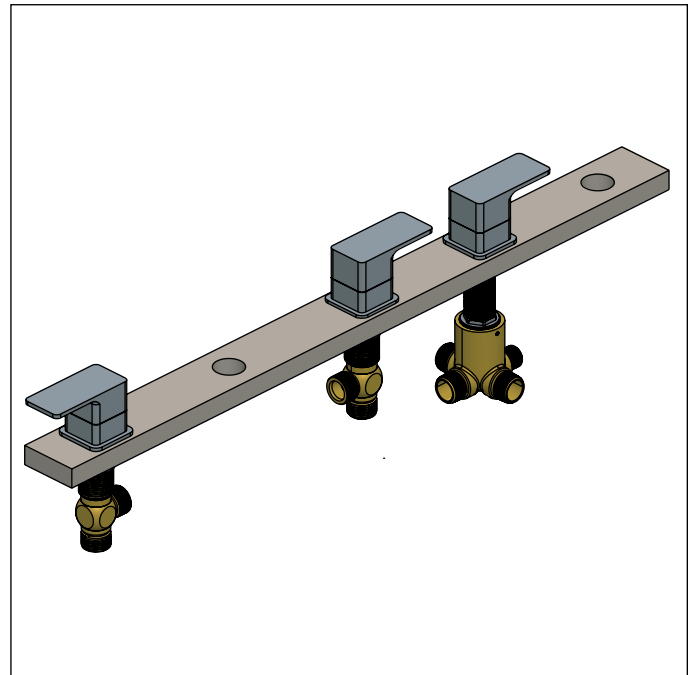
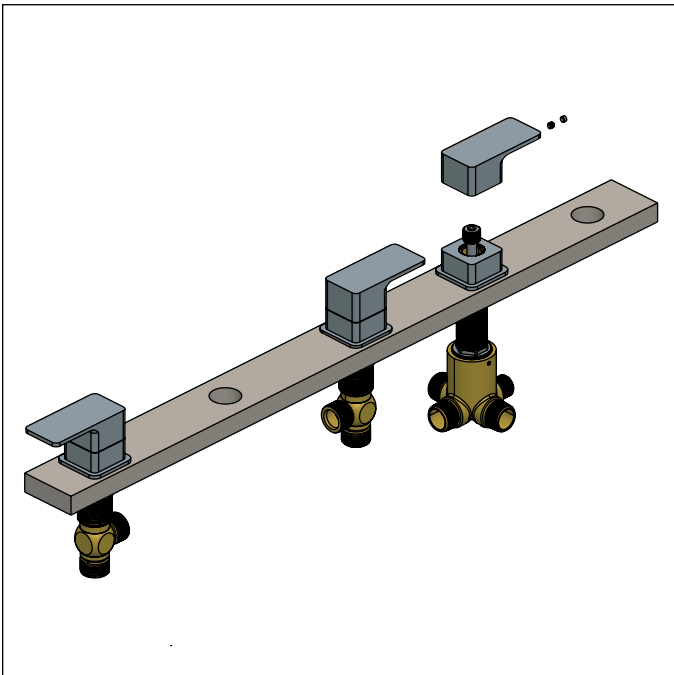
INSTALLING THE HANDLES & DIVERTER



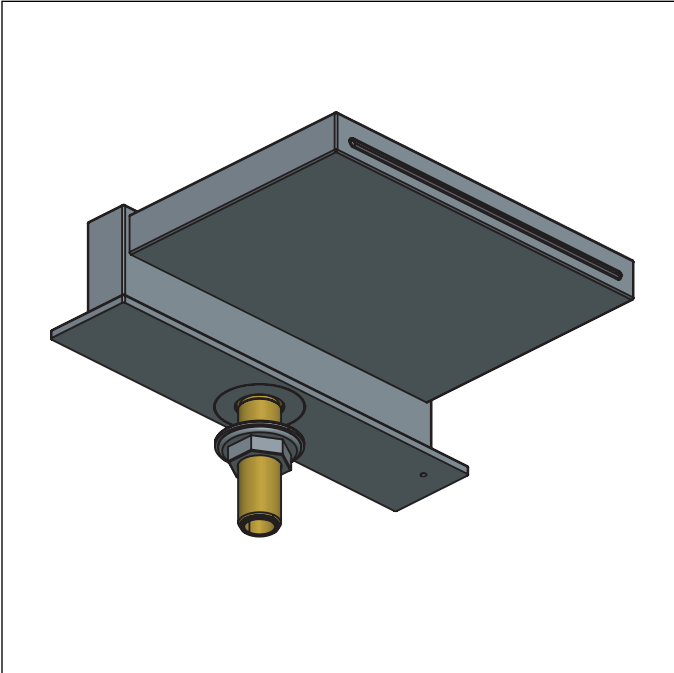
Install the screw & extension



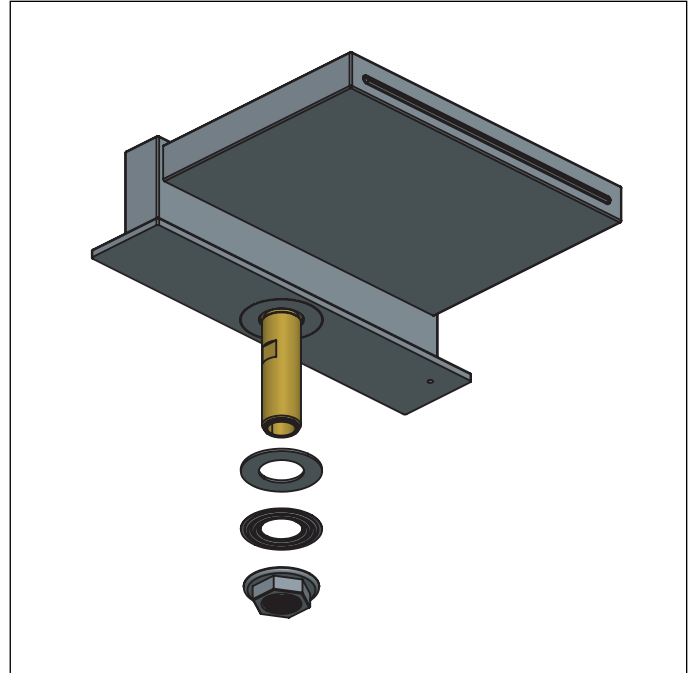
Install handle base and tighten set-screw



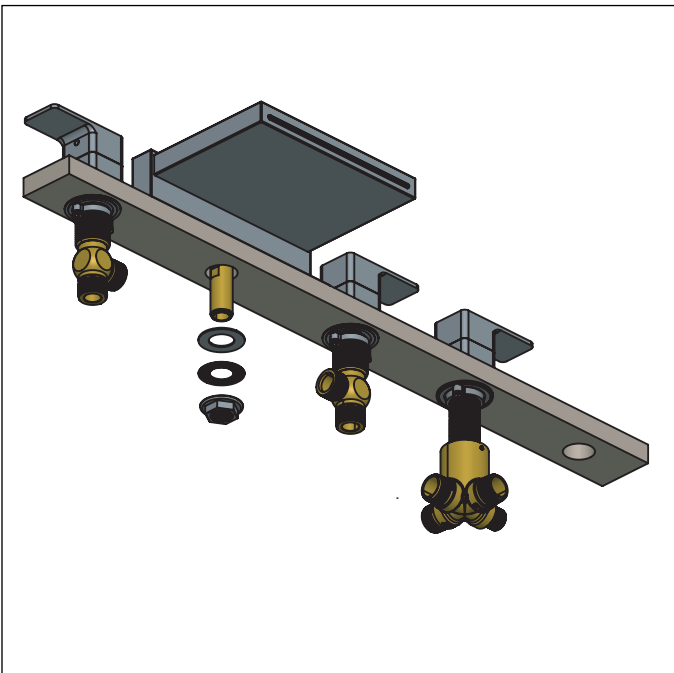
INSTALLING THE TUB SPOUT



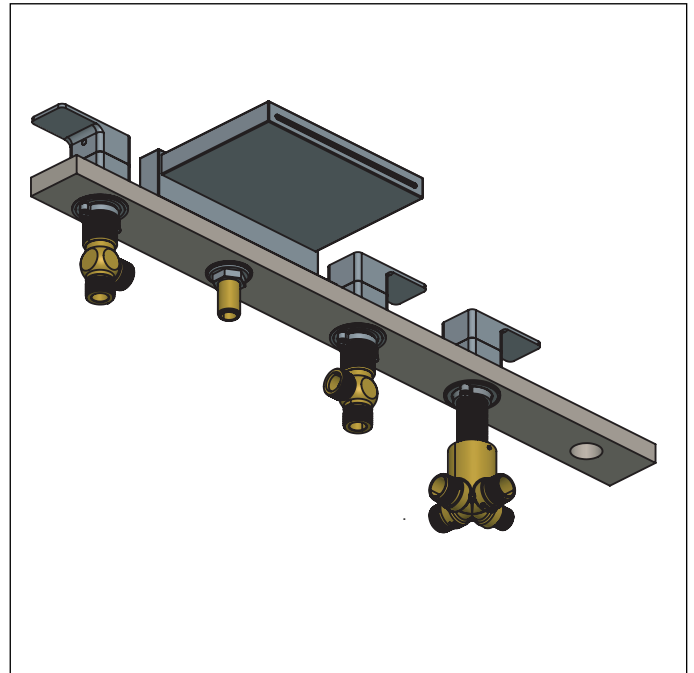
The Cascade is seen above



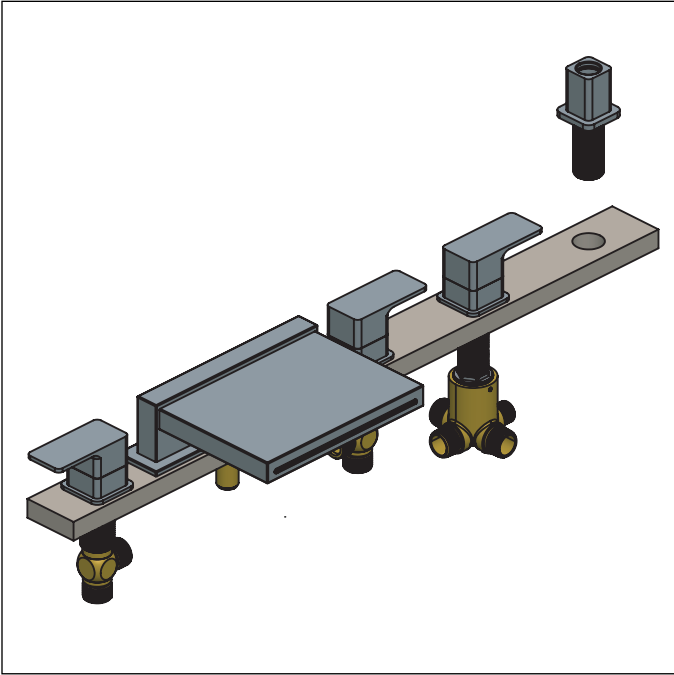
Remove components from cartridge



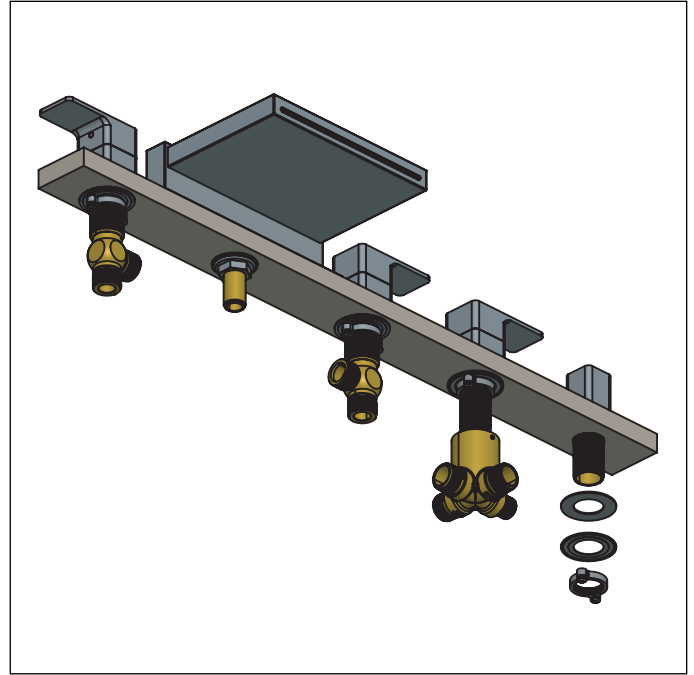
Insert Cascade into deck hole, then insert washers and tighten retaining nut



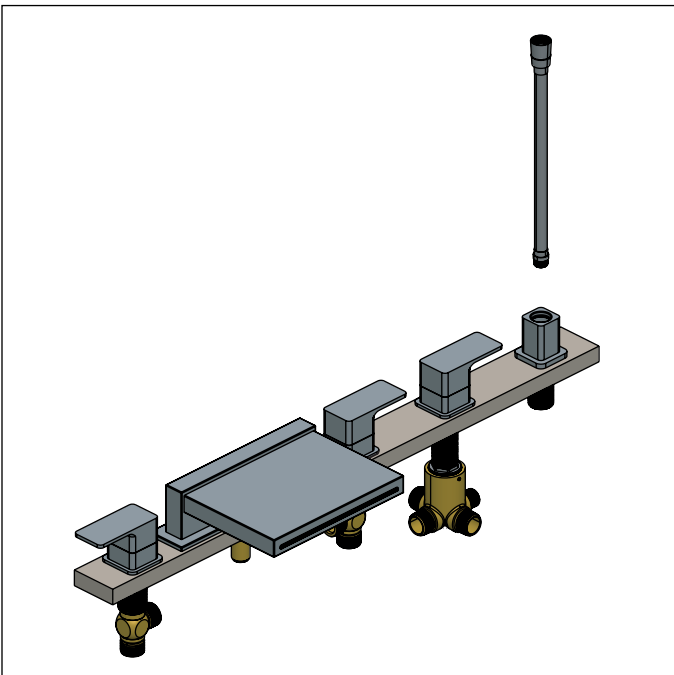
INSTALLING THE HAND SHOWER



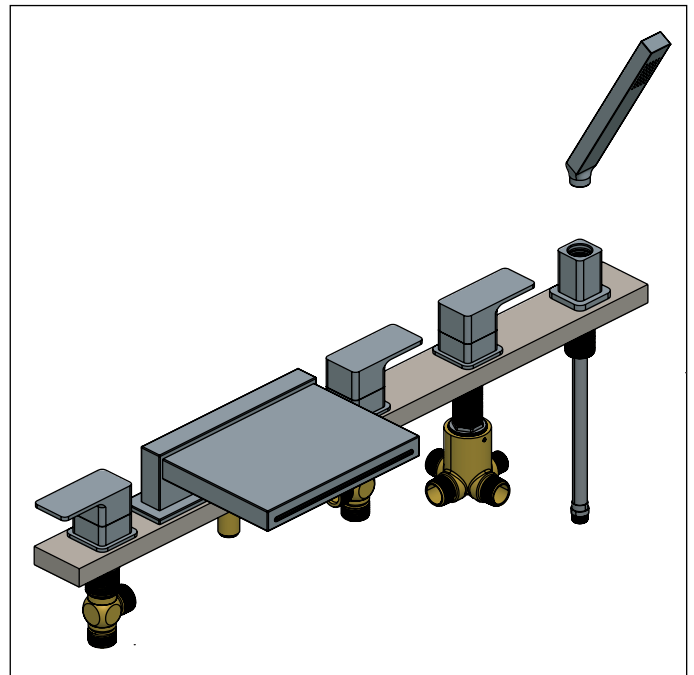
Drop hand shower deck holder into deck hole



Insert & Tighten nut and washers from bottom of deck

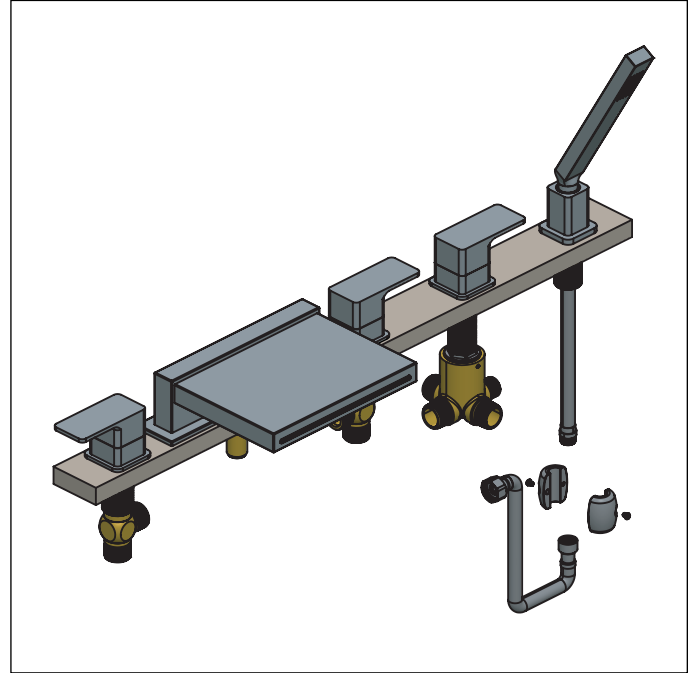
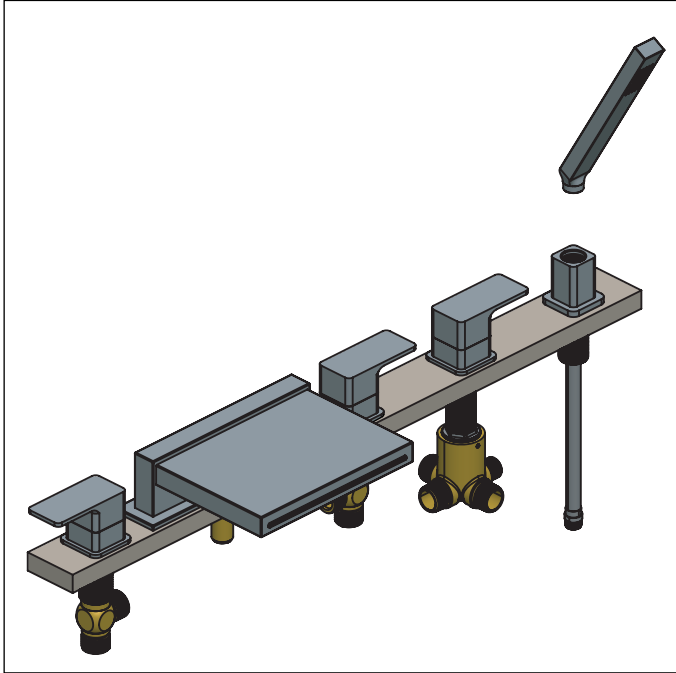


Drop hose down through deck hole

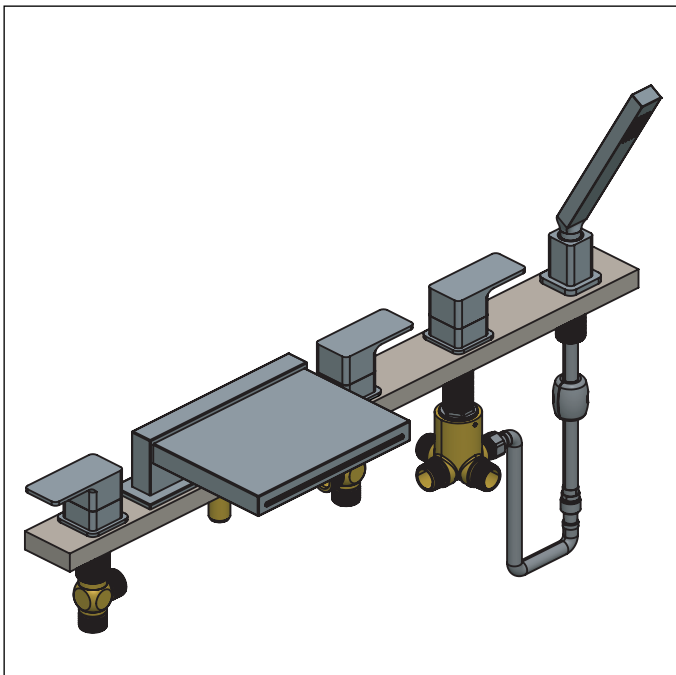


Attach hose to hand shower

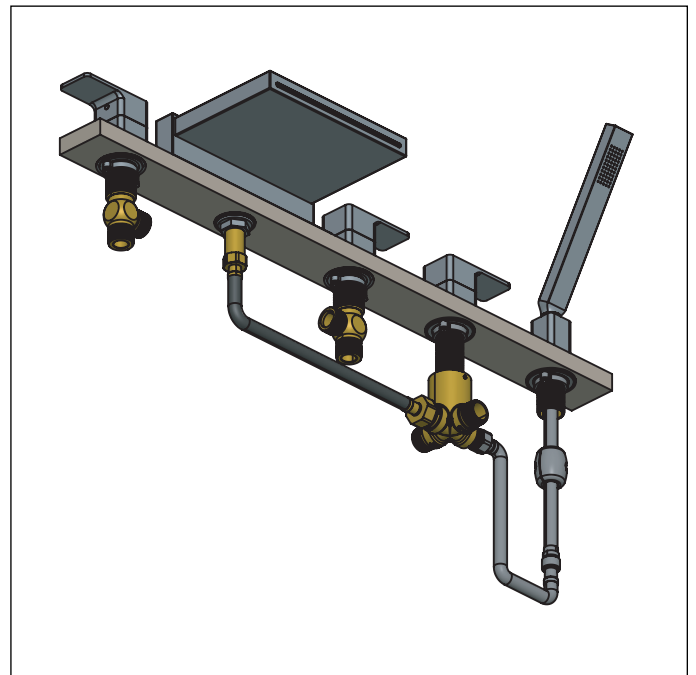
INSTALLING THE HOSES



Connect 2nd piece of hand shower hose

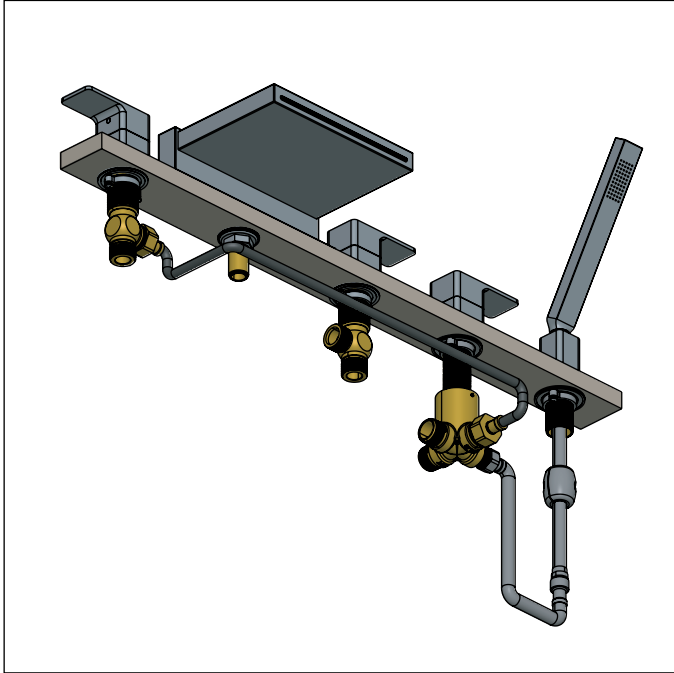


Connect Hand Shower Hose to Valve

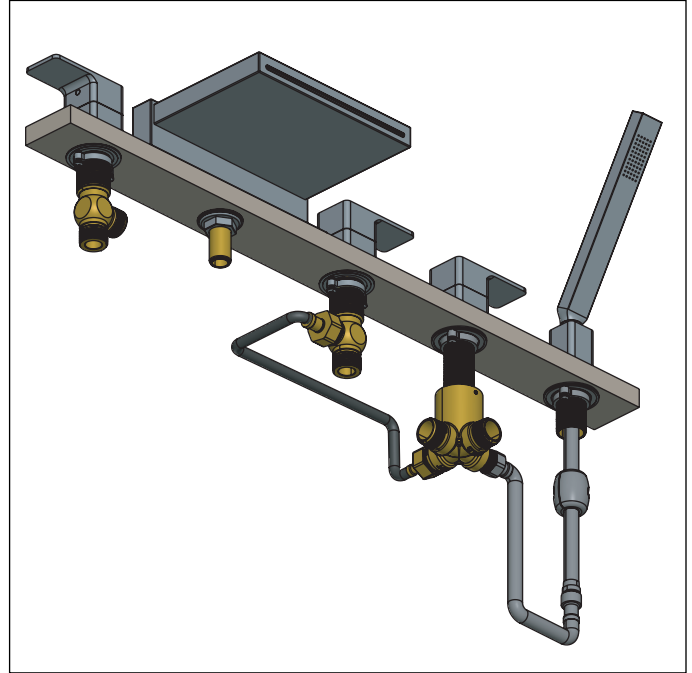


Connect Cascade To Valve

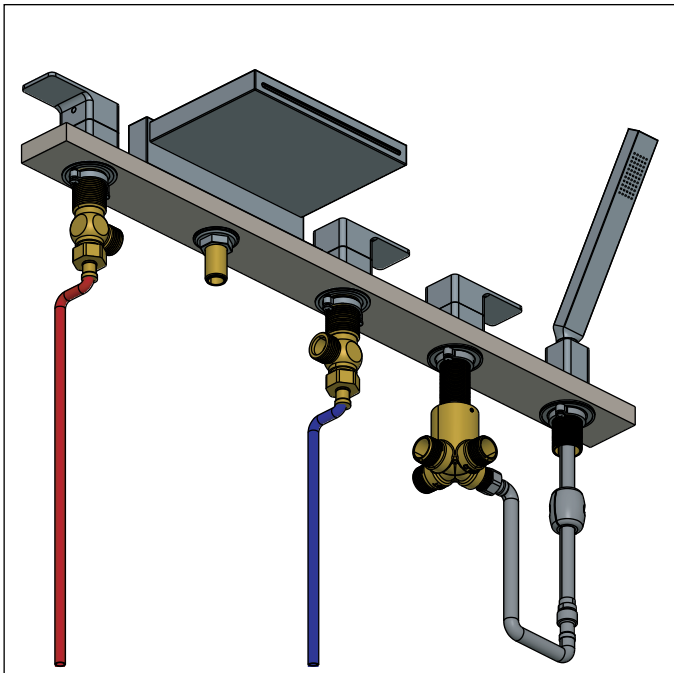
INSTALLING THE HOSES



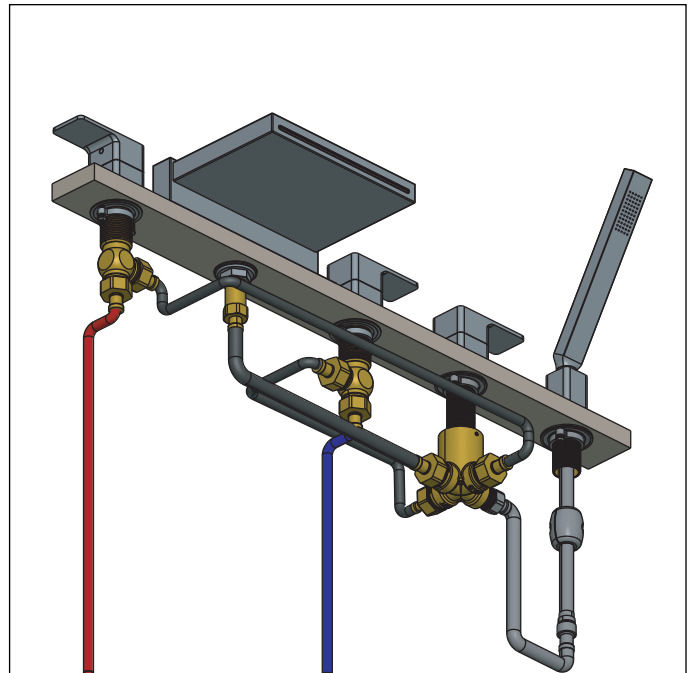
Connect Hot Side To Diverter Valve



Connect Cold Side To Diverter Valve



Connect Hot & Cold-side Connection



All Hoses Connected Seen Here