



### TECHNICAL DETAILS

Installation Type: Wall Mounted

Primary Material: Brass

Flow Restriction: 1.75 gpm

Water Pressure Maximum: 85 PSI

Water Pressure Minimum: 20 PSI

Water Pressure Recommended: 60 PSI

### PRODUCT FEATURES

- Comes with Arm and Escutcheon

### CODES & STANDARDS

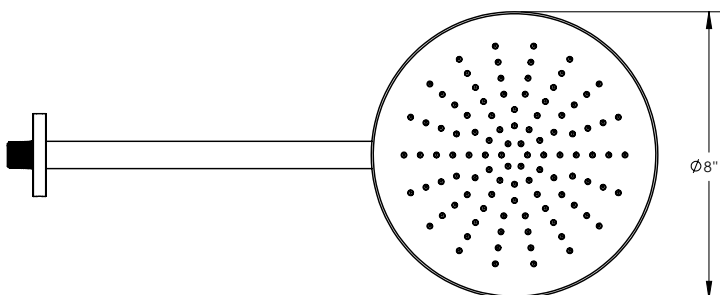
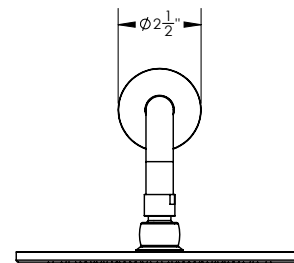
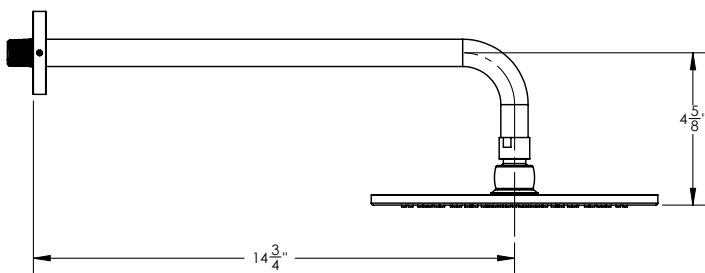


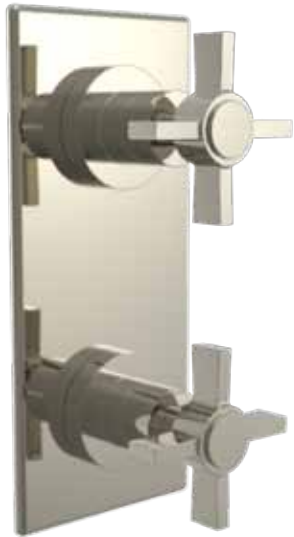
ASME A112.181/ CSA B1251, ASME 112.18.2/ CSA B125.2, ANSI NSF, CEC, Watersense 61 Sect. 9, State of MA.

### WARRANTY

Mechanical Warranty: 10 Years from date of purchase.

Finish Warranty: See catalog for further information.





## TECHNICAL DETAILS

ADA Compliance: Yes  
 Access Hole: 2" x 7"  
 Number of Handles: Two  
 Handle Spread Maximum: 5"  
 Top Handle Turn Angle: Quarter Turn  
 Bottom Handle Turn Angle: 115-118°  
 Installation Type: Deck Mounted  
 Primary Material: Brass  
 Valve Material: Ceramic  
 Valve Flow Rate: 6.5 GPM  
 Flow Restriction: 1.8 GPM Per Function  
 Water Pressure Maximum: 85 PSI  
 Water Pressure Minimum: 20 PSI  
 Water Pressure Recommended: 60 PSI

## PRODUCT FEATURES

- Style: Contemporary
- Collection: Basic
- Temperature Controlled By Thermostatic
- Blade Cross Handles

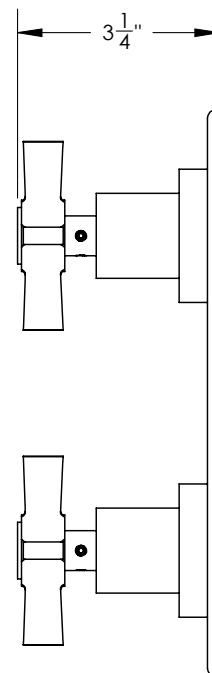
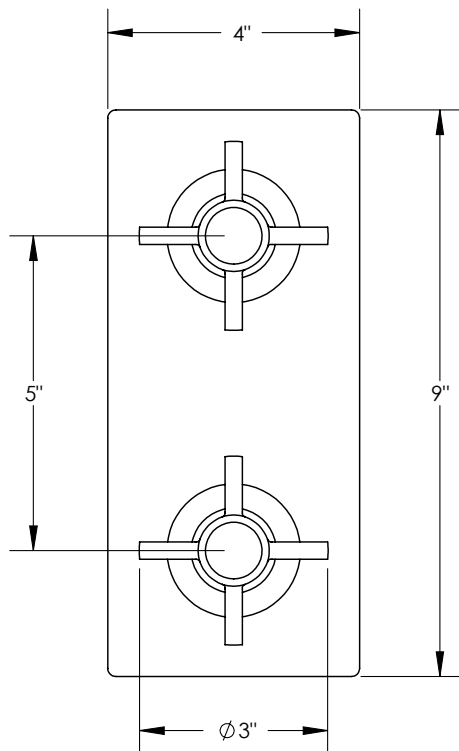
## CODES & STANDARDS



ASME A112.181/ CSA B1251, ASME 112.18.2/ CSA B125.2, ANSI NSF, CEC, Watersense 61 Sect. 9, State of MA.

## WARRANTY

Mechanical Warranty: 10 Years from date of purchase.  
 Finish Warranty: See catalog for further information.





### TECHNICAL DETAILS

Flow Rate: 1.8 gpm  
Hose Length: 59"  
Valve Material: Ceramic  
Water Pressure Maximum: 85 PSI  
Water Pressure Minimum: 20 PSI  
Water Pressure Recommended: 60 PSI

### PRODUCT FEATURES

- Style: Contemporary
- Collection: Basic II

### CODES & STANDARDS



ASME A112.181/ CSA B1251, ASME 112.18.2/ CSA B125.2, ANSI NSF, CEC, Watersense 61 Sect. 9, State of MA.

### WARRANTY

Mechanical Warranty: 10 Years from date of purchase.  
Finish Warranty: See catalog for further information.

