

AXOR ShowerSolutions
Showerarm 9" Round
 Finish: **matte black** Part no. : **26435671**



Description

Features

- Length: 9"
- Brass
- Connection type: 1/2" NPT
- Showerarm, Escutcheon, Mounting Material, Assembly instructions

Item details

List Price \$ 266.00

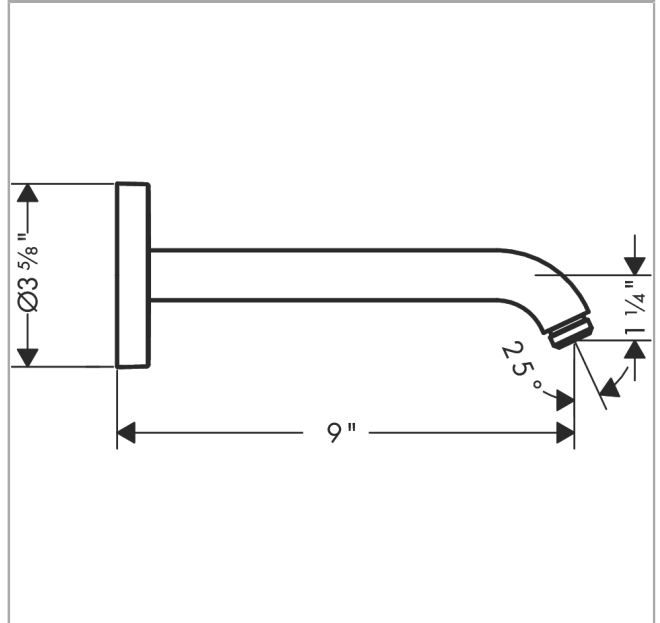
Compliance / Sustainability



Product image



Scale drawing

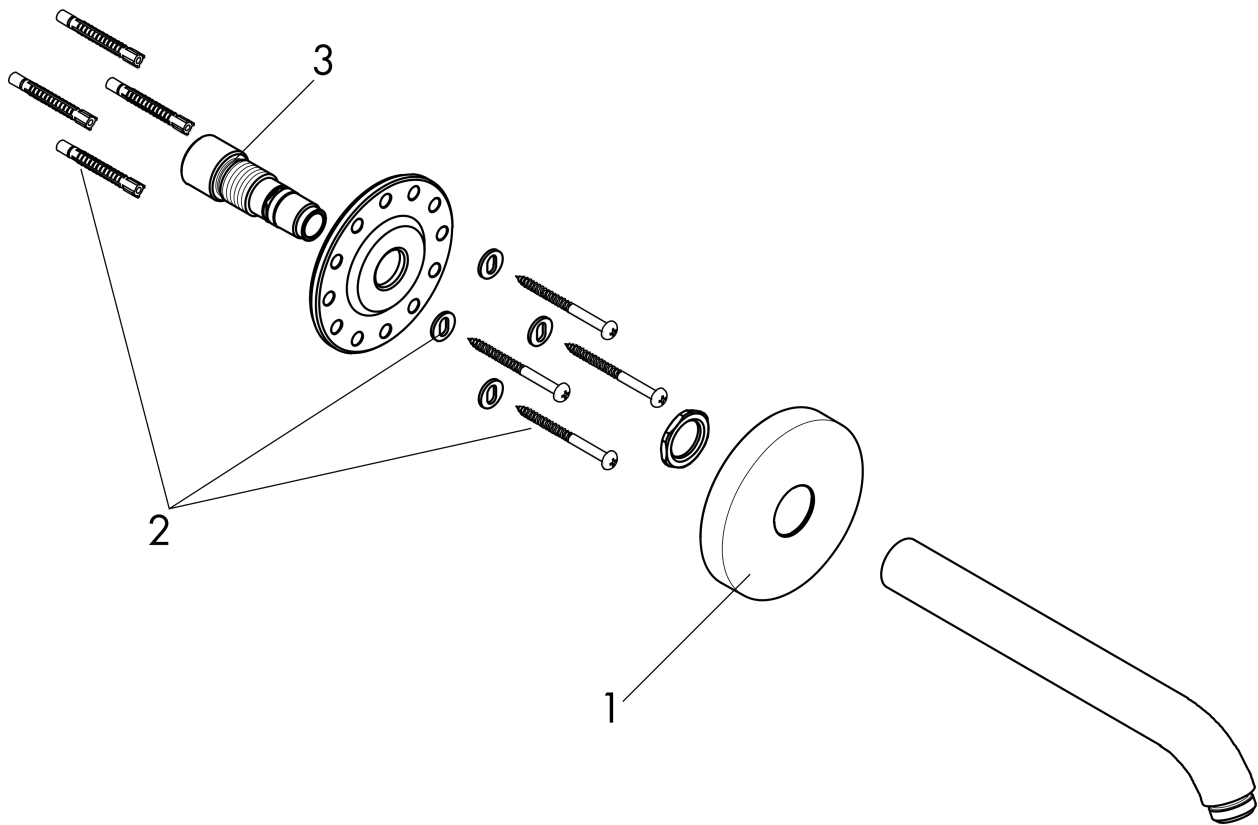


AXOR ShowerSolutions
Showerarm 9" Round
 Finish: **matte black** Part no. : **26435671**



Exploded drawing

Year of production: >01/22



AXOR ShowerSolutions
Showerarm 9" Round
 Finish: **matte black** Part no. : **26435671**



Spare parts list

Year of production: >01/22

Pos.	Description	Part no.	Price	PU
1	escutcheon	93827670	-	1
2	mounting set	96179000	-	1
3	O-ring 14x2	98129000	-	1