

AXOR ShowerSolutions
Showerarm 15" Square
 Finish: **matte black** Part no. : **26436671**



Description

Features

- Length: 15 3/8"
- Brass
- Connection type: 1/2" NPT
- Showerarm, Mounting Material, Assembly instructions

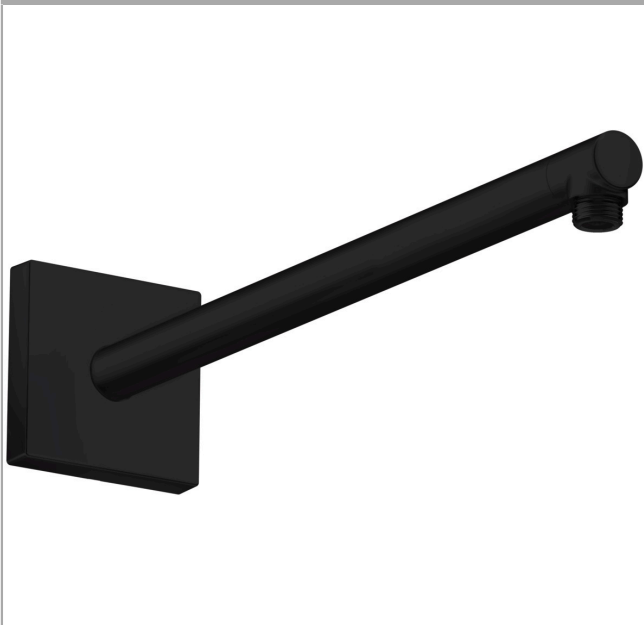
Item details

List Price \$ 354.00

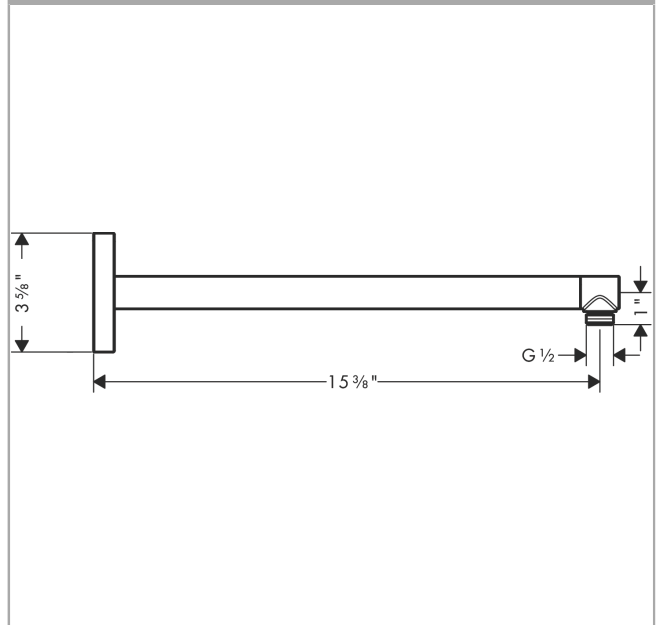
Compliance / Sustainability



Product image



Scale drawing

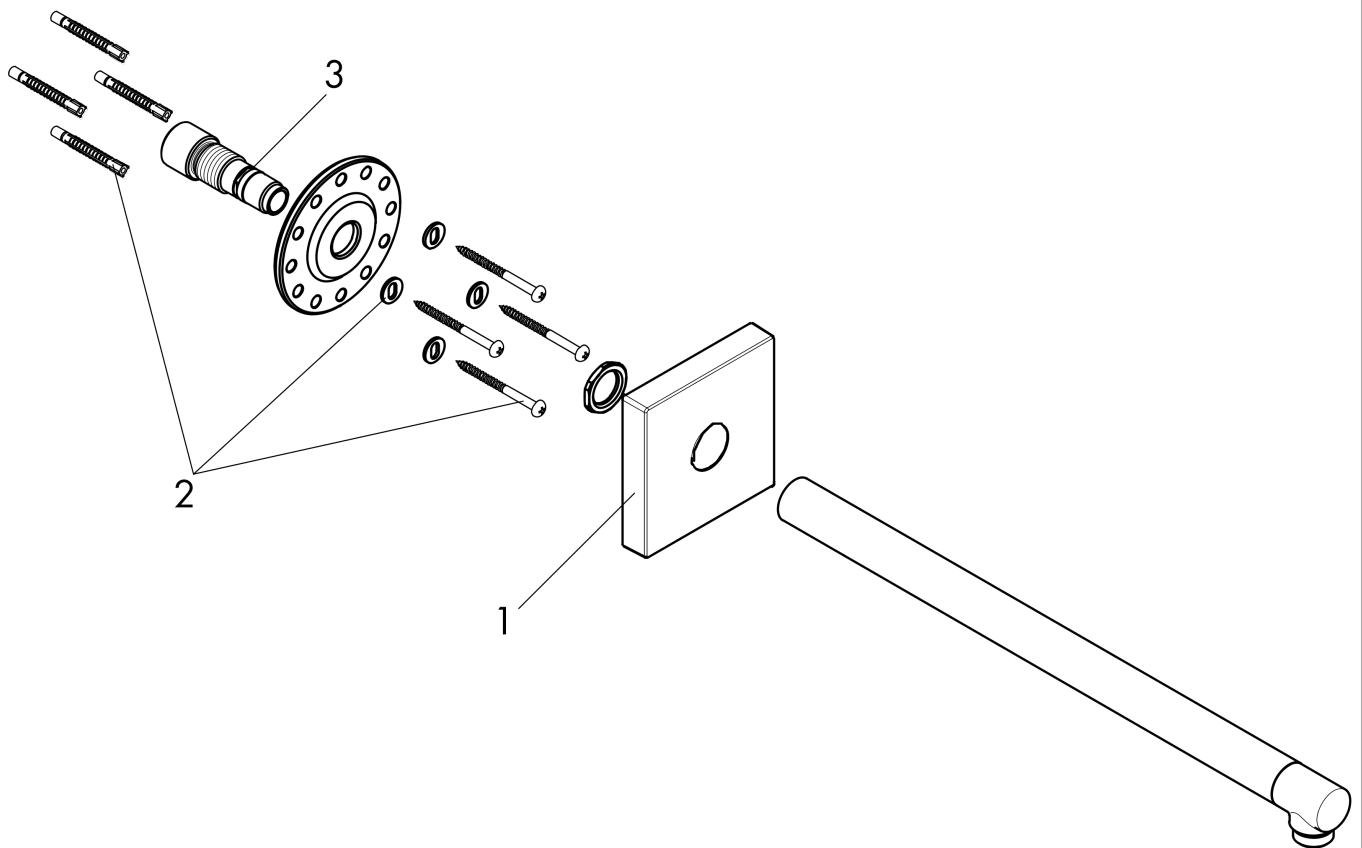


AXOR ShowerSolutions
Showerarm 15" Square
Finish: **matte black** Part no. : **26436671**



Exploded drawing

Year of production: >07/22



AXOR ShowerSolutions
Showerarm 15" Square
 Finish: **matte black** Part no. : **26436671**



Spare parts list

Year of production: >07/22

Pos.	Description	Part no.	Price	PU
1	escutcheon	94475670	-	1
2	mounting set	96179000	-	1
3	O-ring 14x2	98129000	-	1