

**AXOR ShowerSolutions**  
**Showerarm 15" Square**  
 Finish: **polished gold optic**    Part no. : **26436991**



**Description**

**Features**

- Length: 15 3/8"
- Brass
- Connection type: 1/2" NPT
- Showerarm, Mounting Material, Assembly instructions

**Item details**

List Price \$ 341.00

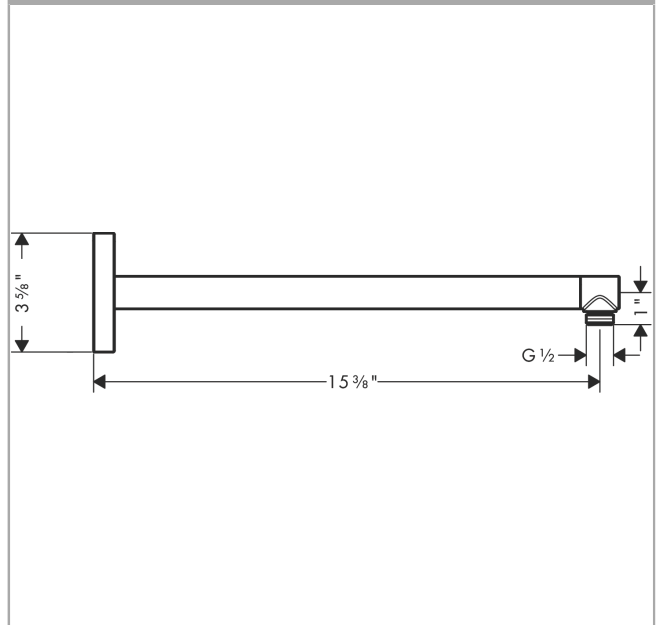
**Compliance / Sustainability**



**Product image**



**Scale drawing**

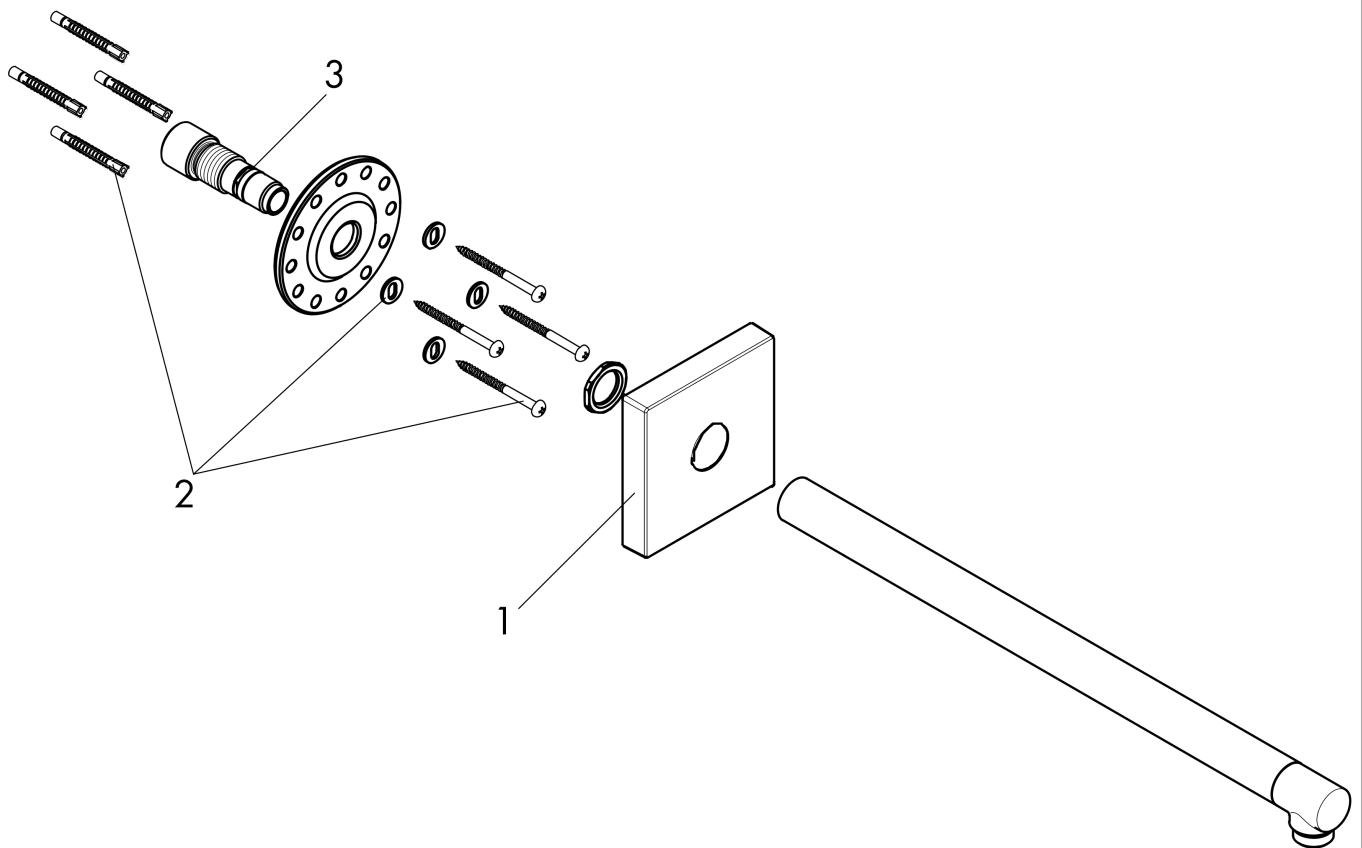


AXOR ShowerSolutions  
 Showerarm 15" Square  
 Finish: polished gold optic Part no. : 26436991



Exploded drawing

Year of production: >07/22



**AXOR ShowerSolutions**  
**Showerarm 15" Square**  
 Finish: **polished gold optic**    Part no. : **26436991**



**Spare parts list**

Year of production: >07/22

Pos.	Description	Part no.	Price	PU
2	mounting set	96179000	-	1
3	O-ring 14x2	98129000	-	1