

**AXOR ShowerSolutions**  
**Extension Pipe for Ceiling Mount, Square- 4"**  
 Finish: **polished black chrome** Part no. : **26437331**



**Description**

**Features**

- Length: 3.93"
- Brass
- Connection type: 1/2" NPT
- Ceiling connector, Escutcheon, Mounting Material, Assembly instructions

**Item details**

List Price \$ 224.00

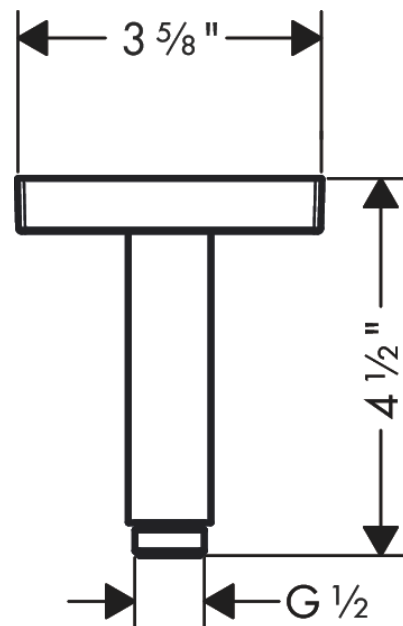
**Compliance / Sustainability**



**Product image**



**Scale drawing**

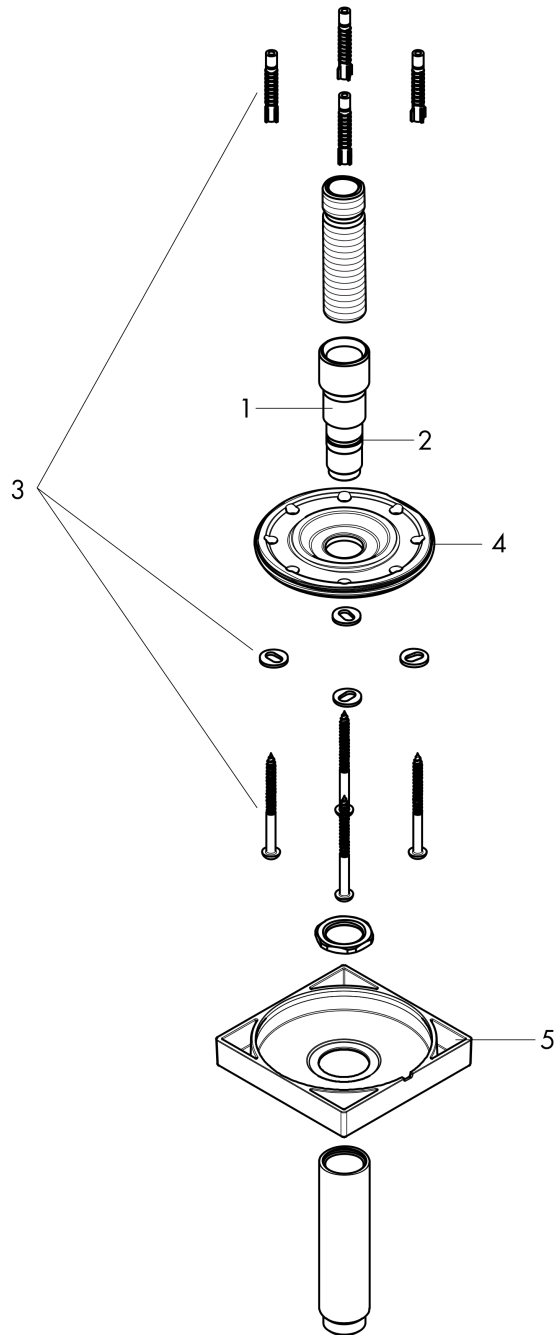


**AXOR ShowerSolutions**  
**Extension Pipe for Ceiling Mount, Square- 4"**  
Finish: **polished black chrome** Part no. : **26437331**



Exploded drawing

Year of production: >07/22



**AXOR ShowerSolutions**  
**Extension Pipe for Ceiling Mount, Square- 4"**  
 Finish: **polished black chrome** Part no. : **26437331**



**Spare parts list**

Year of production: >07/22

| Pos. | Description   | Part no. | Price | PU |
|------|---------------|----------|-------|----|
| 2    | O-ring 14x2   | 98129000 | -     | 1  |
| 3    | mounting set  | 96179000 | -     | 1  |
| 4    | O-ring 82x2,5 | 94732000 | -     | 1  |
| 5    | escutcheon    | 94475330 | -     | 1  |