

AXOR ShowerSolutions
Extension Pipe for Ceiling Mount, Square- 4"
 Finish: **brushed black chrome** Part no. : **26437341**



Description

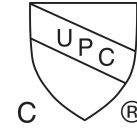
Features

- Length: 3.93"
- Brass
- Connection type: 1/2" NPT
- Ceiling connector, Escutcheon, Mounting Material, Assembly instructions

Item details

List Price \$ 234.00

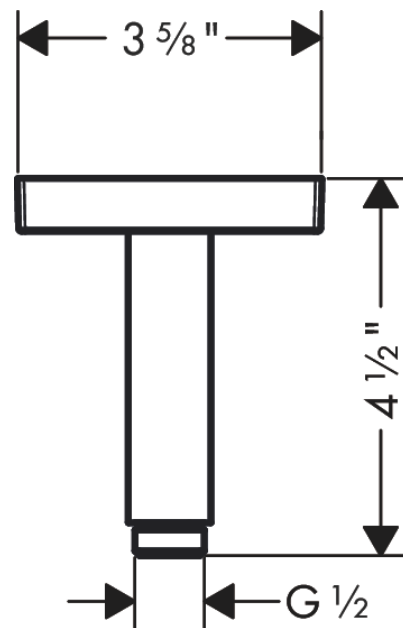
Compliance / Sustainability



Product image



Scale drawing

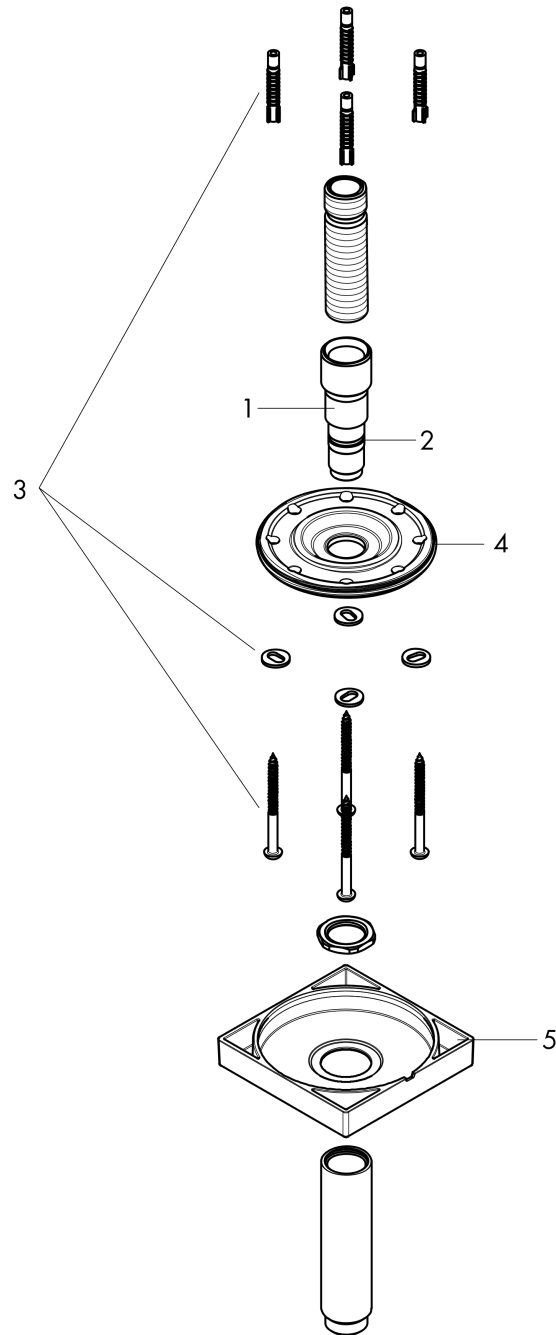


AXOR ShowerSolutions
Extension Pipe for Ceiling Mount, Square- 4"
Finish: **brushed black chrome** Part no. : **26437341**



Exploded drawing

Year of production: >07/22



AXOR ShowerSolutions
Extension Pipe for Ceiling Mount, Square- 4"
 Finish: **brushed black chrome** Part no. : **26437341**



Spare parts list

Year of production: >07/22

Pos.	Description	Part no.	Price	PU
2	O-ring 14x2	98129000	-	1
3	mounting set	96179000	-	1
4	O-ring 82x2,5	94732000	-	1
5	escutcheon	94475340	-	1