

Unica
Wallbar S, 36"
 Finish: **brushed bronze** Part no. : **28631140**



Description

Features

- Consists of: Wallbar, Handshower hose, Slider, Shower hose, Wallbar
- Stand pipe: 39.68"
- Shower bar diameter: 7/8"
- Profile stand pipe: round
- Drilling distance: 36"
- Angle-adjustable holder pivots left and right, slides easily and locks in place

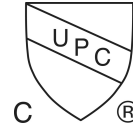
Item details

List Price \$ 342.00

Design awards



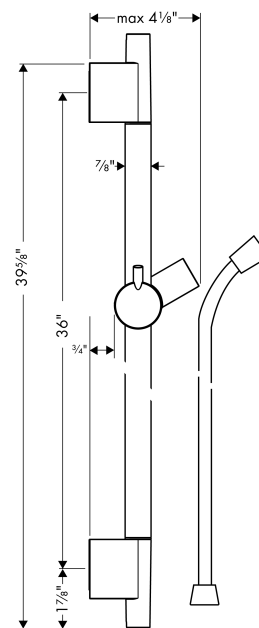
Compliance / Sustainability



Product image



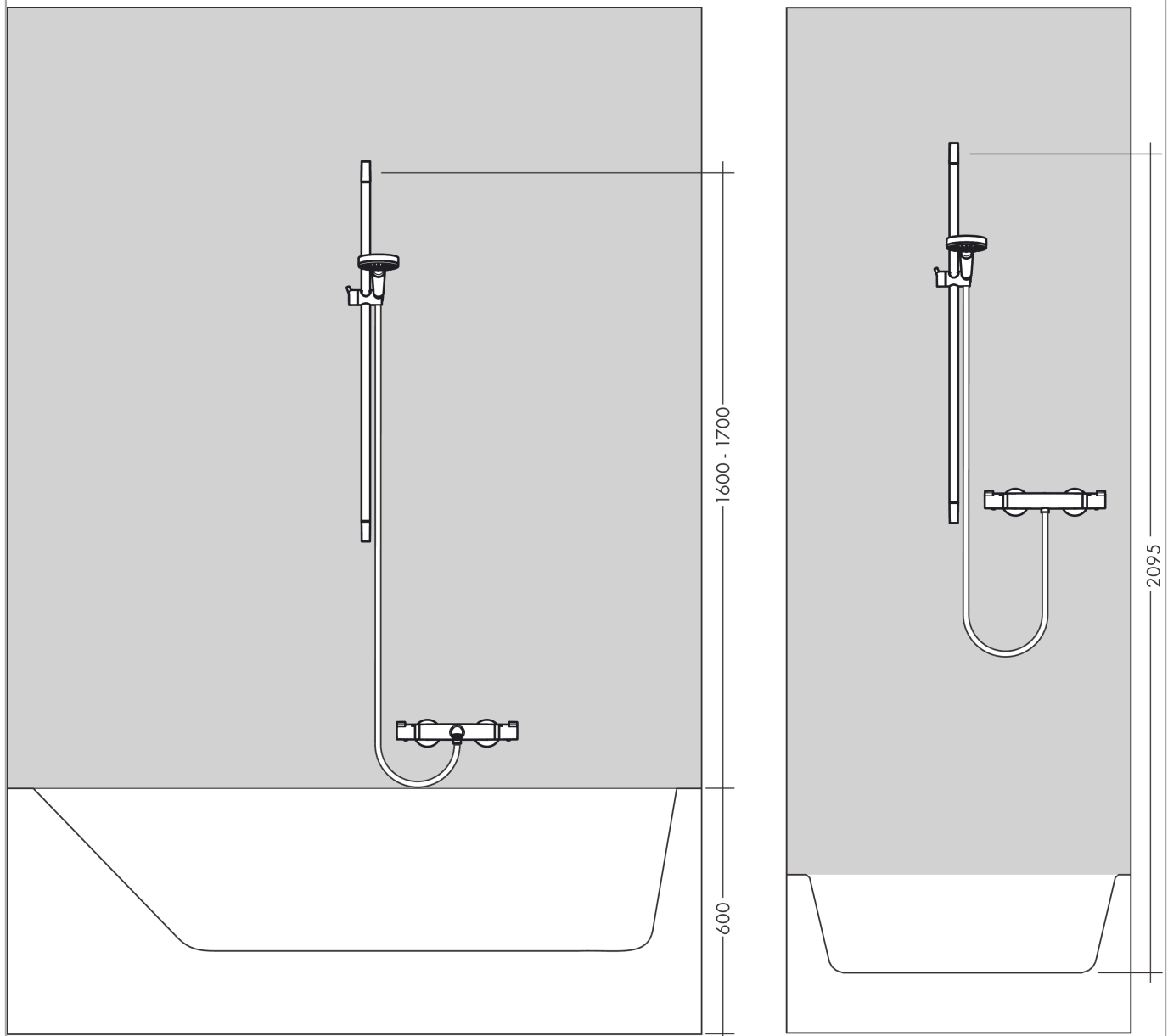
Scale drawing



Unica
 Wallbar S, 36"
 Finish: brushed bronze Part no. : 28631140



Installation example

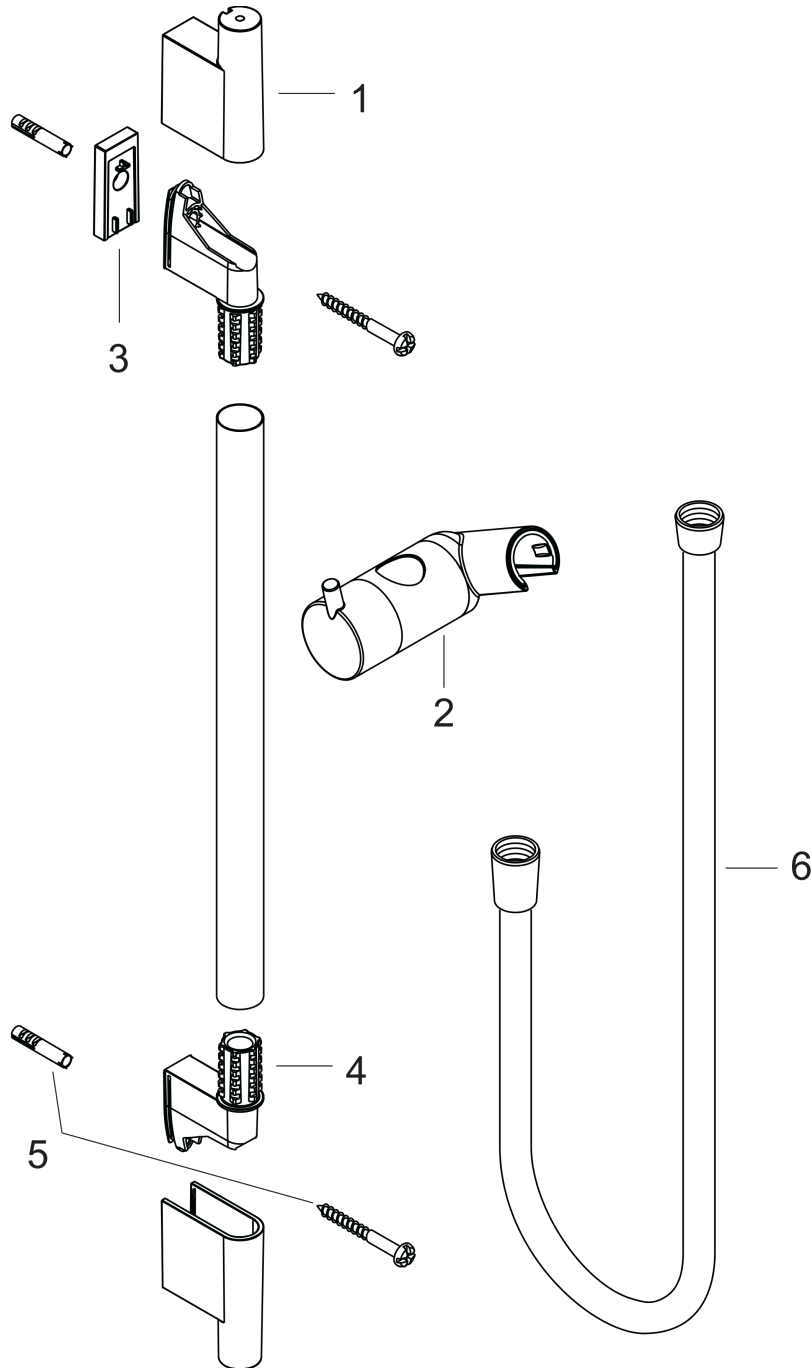


Unica
 Wallbar S, 36"
 Finish: brushed bronze Part no. : 28631140



Exploded drawing

Year of production: >07/19



Unica
Wallbar S, 36"
 Finish: **brushed bronze** Part no. : **28631140**



Spare parts list

Year of production: >07/19

Pos.	Description	Part no.	Price	PU
1	cover	97709140	-	1
2	support, assy	97651140	-	1
3	tile-matching-disk 7 mm	97450000	-	1
4	wall support	96275000	-	1
5	mounting set	96179000	-	1
6	shower hose Isiflex'B 1,60 m	28276140	-	1