

AXOR ShowerSolutions
Showerhead 250 2-Jet with Showerarm Trim, 2.5 GPM
 Finish: brushed nickel Part no. : 35296821



Description

Features

- Consists of: Showerhead, Showerarm
- Shower head size: 9⁷/₈"
- Spray modes: PowderRain, Intense PowderRain
- Max. flow: 2.5 GPM (9.5 L/Min)
- Adjustment with shift on thermostat
- dynamic spray nozzles move out while using
- Showerhead removable for cleaning
- ServiceCard with sieve can be removed without tools for cleaning purpose

Item details

List Price \$ 2,605.00

Technology



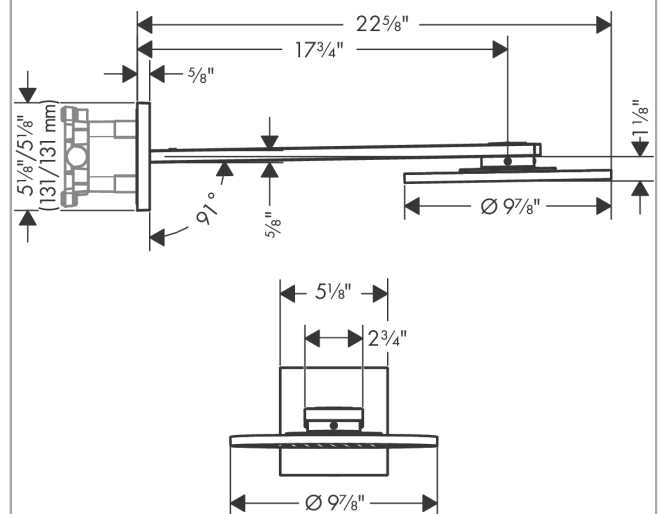
Compliance / Sustainability



Product image



Scale drawing

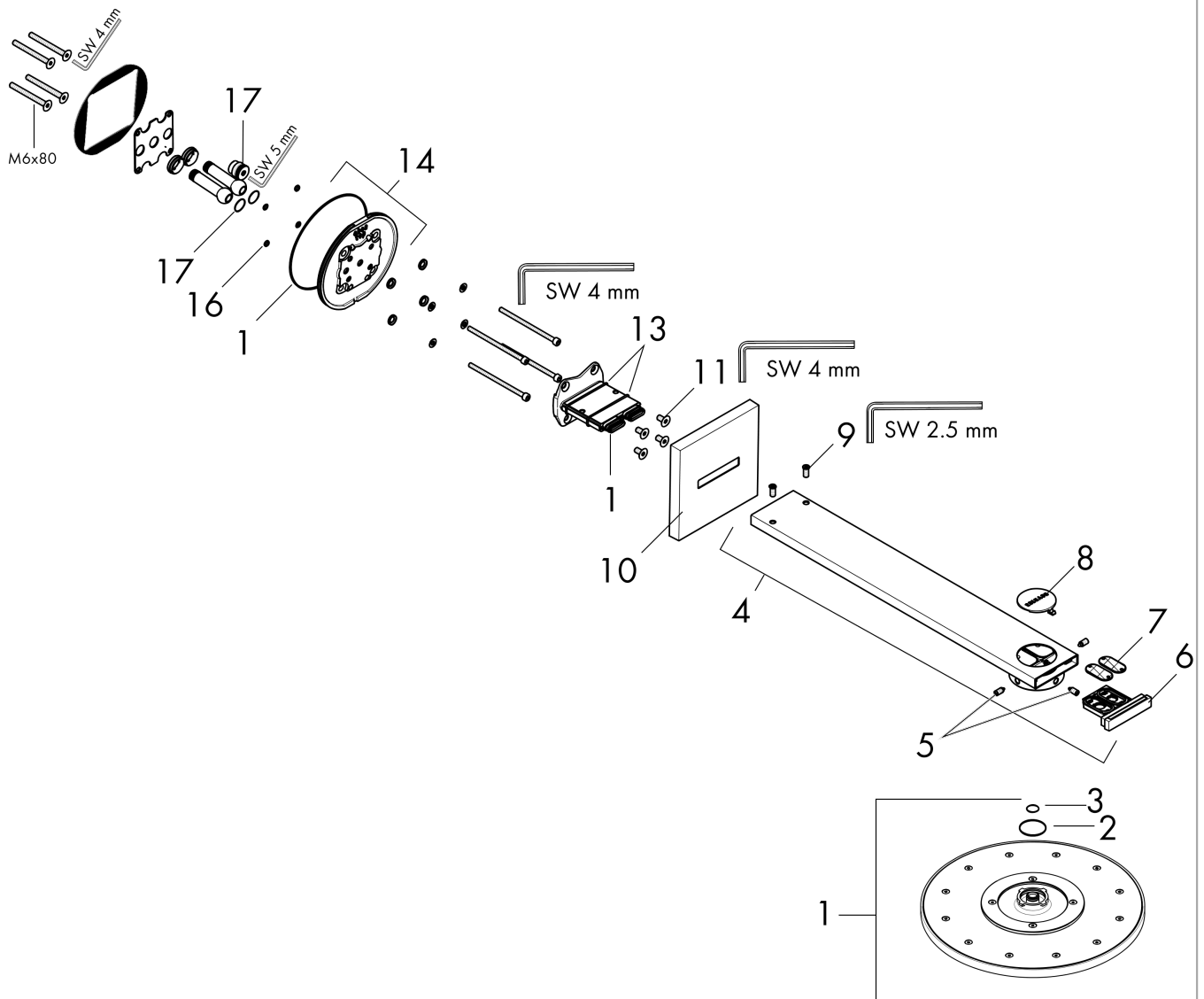


AXOR ShowerSolutions
Showerhead 250 2-Jet with Showerarm Trim, 2.5 GPM
 Finish: brushed nickel Part no. : 35296821



Exploded drawing

Year of production: >07/21



AXOR ShowerSolutions
Showerhead 250 2-Jet with Showerarm Trim, 2.5 GPM
 Finish: **brushed nickel** Part no. : **35296821**



Spare parts list

Year of production: >07/21

Pos.	Description	Part no.	Price	PU
2	O-ring 12x1,5	98430000	-	1
3	O-Ring 28x2	98194000	-	1
4	shower arm	93404820	-	1
5	set of screws	93454000	-	1
6	service unit	93403000	-	1
7	filter	93402000	-	1
8	press switch	93401000	-	1
9	screw	93431000	-	1
10	escutcheon	93400820	-	1
11	screw	92137000	-	1
12	O-Ring 14x1,5	98201000	-	1
13	O-Ring 30x2	98186000	-	1
14	wall flange	93462000	-	1
15	O-ring 120x2,5	93399000	-	1
17	O-ring 14x2	98129000	-	1
a	adapter for overhead shower	93456000	-	1