

**AXOR Citterio E**  
**Single-Hole Faucet 125 with Pop-Up Drain, 1.2 GPM**  
 Finish: **chrome** Part no. : **36100001**



**Description**

**Features**

- Handle variant: pin
- Spray modes: Laminar spray
- Max. flow: 1.2 GPM (4.5 L/Min)
- Ceramic cartridge
- Includes pop-up drain

**Item details**

List Price \$ 1,058.00

**Technology**



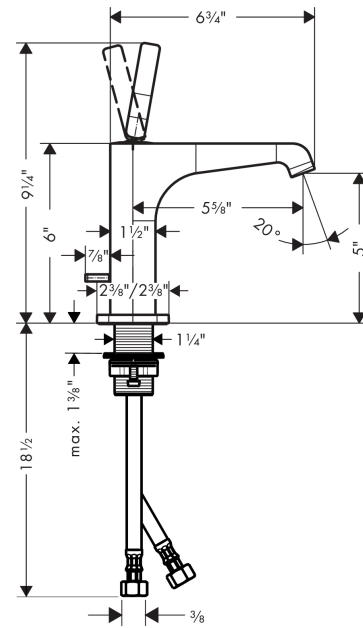
**Compliance / Sustainability**



**Product image**



**Scale drawing**

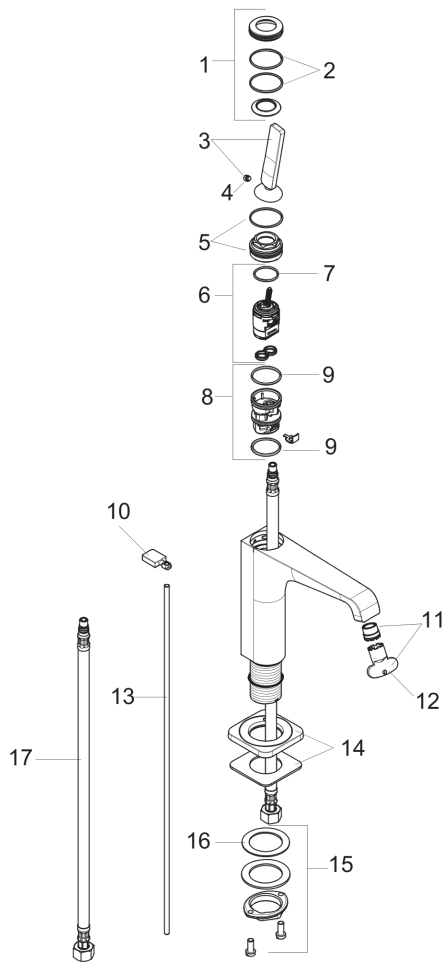


**AXOR Citterio E**  
**Single-Hole Faucet 125 with Pop-Up Drain, 1.2 GPM**  
 Finish: **chrome** Part no. : **36100001**



Exploded drawing

Year of production: >07/16



**AXOR Citterio E**  
**Single-Hole Faucet 125 with Pop-Up Drain, 1.2 GPM**  
 Finish: **chrome** Part no. : **36100001**



## Spare parts list

Year of production: >07/16

Pos.	Description	Part no.	Price	PU
1	escutcheon	92188000	-	1
2	O-ring 30x1,5	98433000	-	1
3	handle	92189000	-	1
4	hollow set screw M6x6	97660000	-	1
5	nut	95667000	-	1
6	cartridge, assy	96339000	-	1
7	O-ring 21,95x1,78	95169000	-	1
8	adapter for cartridge	95289000	-	1
9	O-ring 26x2	98147000	-	1
10	diverter knob	92197000	-	1
11	aerator laminar M16,5x1 (4,5 l/min)	92876000	-	1
12	special tool	98987000	-	1
13	pull rod	95128000	-	1
14	escutcheon	92190000	-	1
15	fixing set (Ø 32)	13961000	-	1
16	lever collar	97548000	-	1
17	connection hose 23½" M8x0,75 3/8"	98600001	-	1
a	pop up waste	88509000	-	1