

**AXOR Citterio  
Tub Spout**

Finish: **chrome** Part no. : **39410001**



**Description**

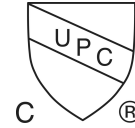
**Features**

- Max. flow: 5.5 GPM (20.6 L/Min)
- Solid Brass
- Includes: 1/2" female and 3/4" male adaptor

**Item details**

List Price \$ 678.00

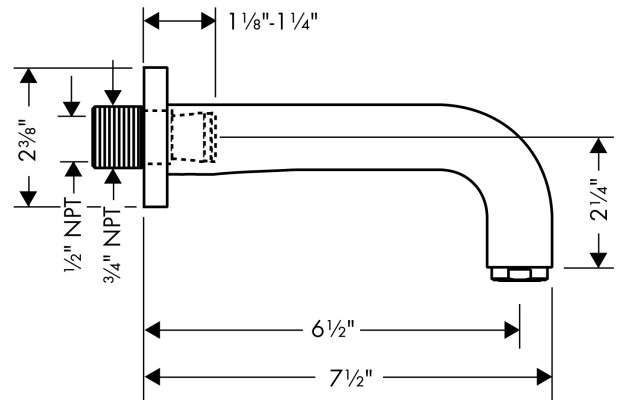
**Compliance / Sustainability**



**Product image**



**Scale drawing**

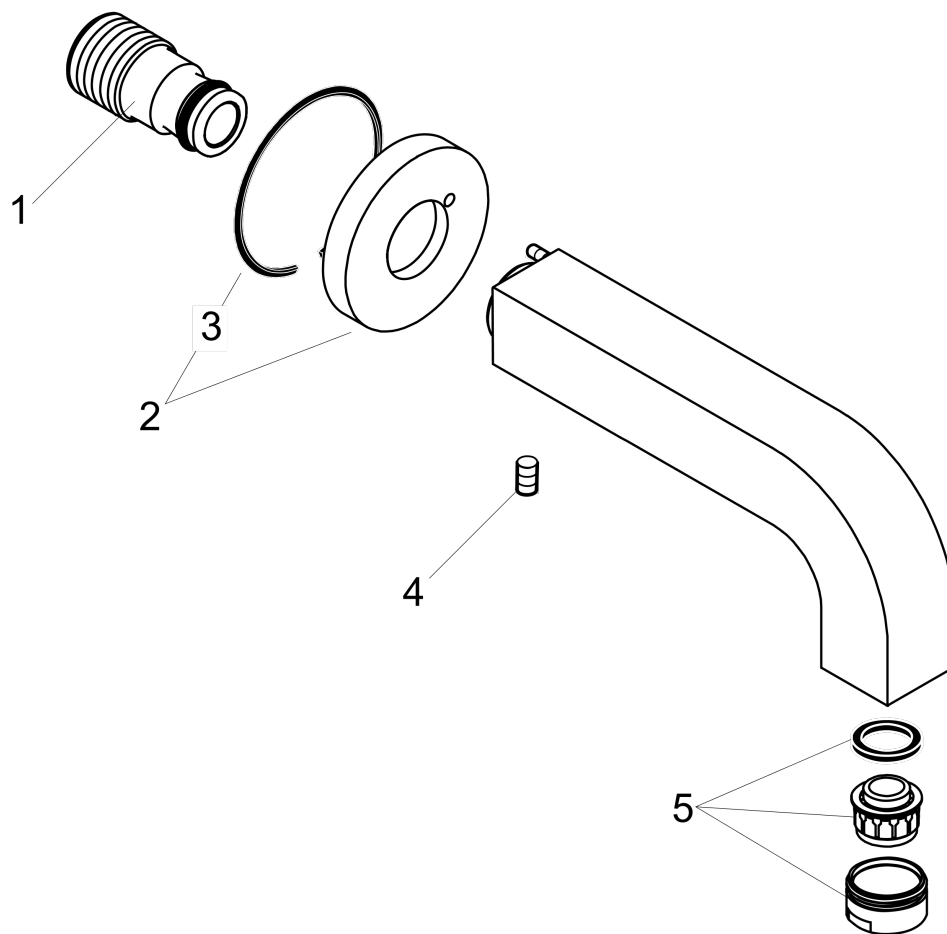


**AXOR Citterio**  
**Tub Spout**  
 Finish: **chrome**    Part no. : **39410001**



Exploded drawing

Year of production: >11/03



**AXOR Citterio  
Tub Spout**

Finish: **chrome** Part no. : **39410001**



**Spare parts list**

Year of production: >11/03

Pos.	Description	Part no.	Price	PU
1	connecting thread	96472001	-	1
2	escutcheon for spout	96756000	-	1
3	seal	97530000	-	1
4	hollow set screw M6x6	97660000	-	1
5	aerator M24x1 (25 l/min)	13956000	-	1