

AXOR Citterio
4-Hole Roman Tub Set Trim with Cross Handles and 1.75 GPM Handshower
 Finish: **chrome** Part no. : **39461001**



Description

Features

- Spray type mixer: aerated spray
- Max. flow: 5.0 GPM (19 L/Min)
- Flow rate of hand shower at 3 bar: 1.75 GPM (6.6 L/Min)
- Ceramic valves hot/cold 90°
- Diverter with automatic resetting
- Integrated double backflow prevention

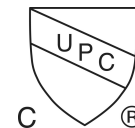
Item details

List Price \$ 3,472.00

Technology



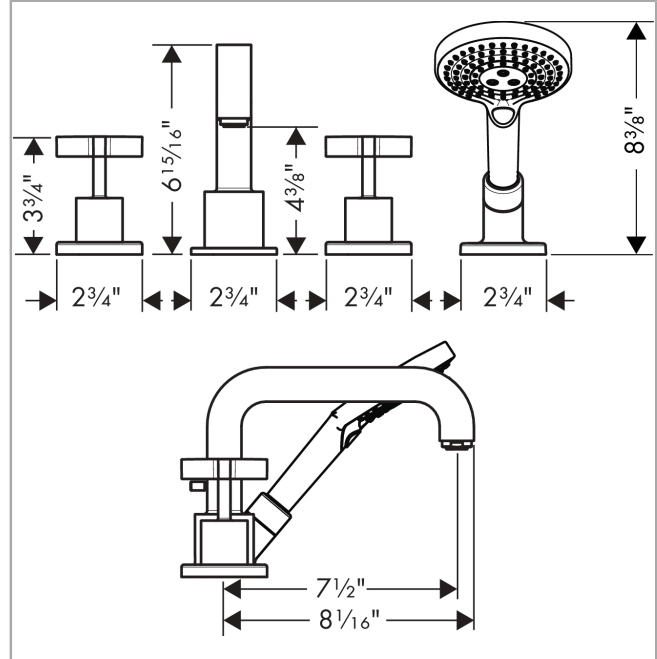
Compliance / Sustainability



Product image



Scale drawing

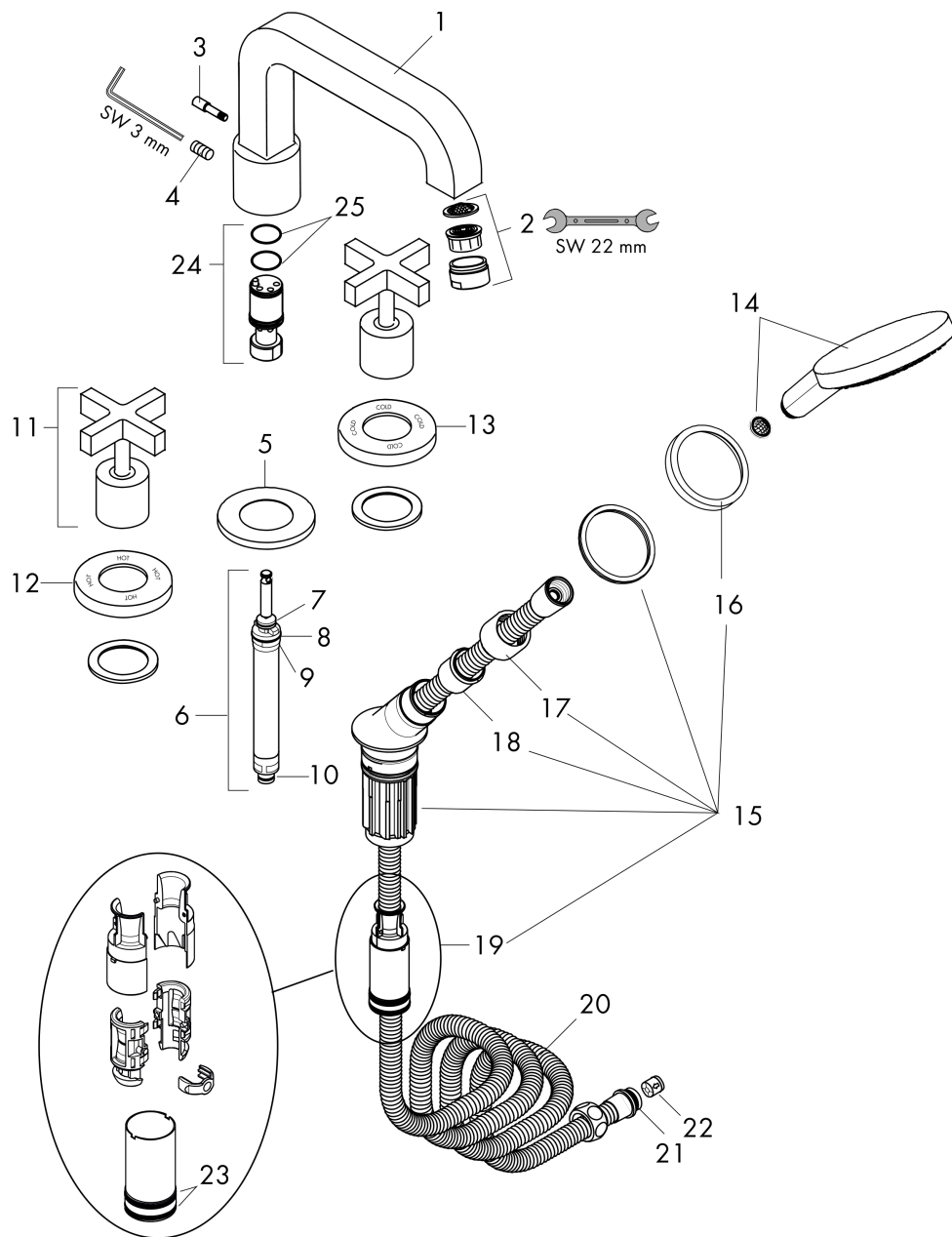


AXOR Citterio
4-Hole Roman Tub Set Trim with Cross Handles and 1.75 GPM Handshower
 Finish: **chrome** Part no. : **39461001**



Exploded drawing

Year of production: >06/18



AXOR Citterio
4-Hole Roman Tub Set Trim with Cross Handles and 1.75 GPM Handshower
 Finish: **chrome** Part no. : **39461001**



Spare parts list

Year of production: >06/18

Pos.	Description	Part no.	Price	PU
1	spout cpl.	96773000	-	1
2	aerator M24x1 (25 l/min)	13956000	-	1
3	diverter knob	96774000	-	1
4	hollow set screw M6x6	97660000	-	1
5	escutcheon Ø 70 mm	97779000	-	1
6	selector assy	96775000	-	1
7	O-Ring 14x2,5	98189000	-	1
8	O-Ring 23x2,5	98183000	-	1
9	O-Ring 22x2	98185000	-	1
10	O-ring 9x2,5	98217000	-	1
11	handle	39292000	-	1
12	escutcheon hot water	96771000	-	1
13	escutcheon cold water	96772000	-	1
14	handshower	26052001	-	1
15	shower holder, assy	95996000	-	1
16	escutcheon for shower holder	95753000	-	1
17	nut	97584000	-	1
18	insert for shower holder	96942000	-	1
19	hose brake	98656000	-	1
20	shower hose 2,00 m	94148000	-	1
21	O-ring 11x2	98127000	-	1
22	set of non return valves DW 15	94074000	-	1
23	O-Ring 28x2	98194000	-	1
24	guide tube	92214000	-	1