

AddStoris
Toilet Paper Holder with Shelf
 Finish: **brushed nickel** Part no. : **41772820**



Description

Features

- Wall-mounted
- Metal
- With mounting material
- Concealed fastening
- Diameter of drilled hole: 0.23"
- Size of shelf: 5.9 x 3.1"

Item details

List Price \$ 119.00

Design awards



reddot winner 2021

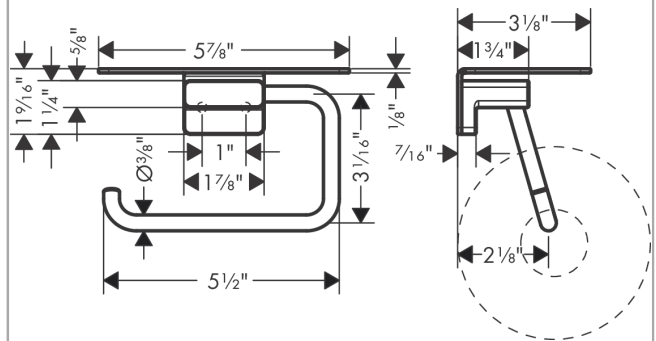
Compliance / Sustainability



Product image



Scale drawing

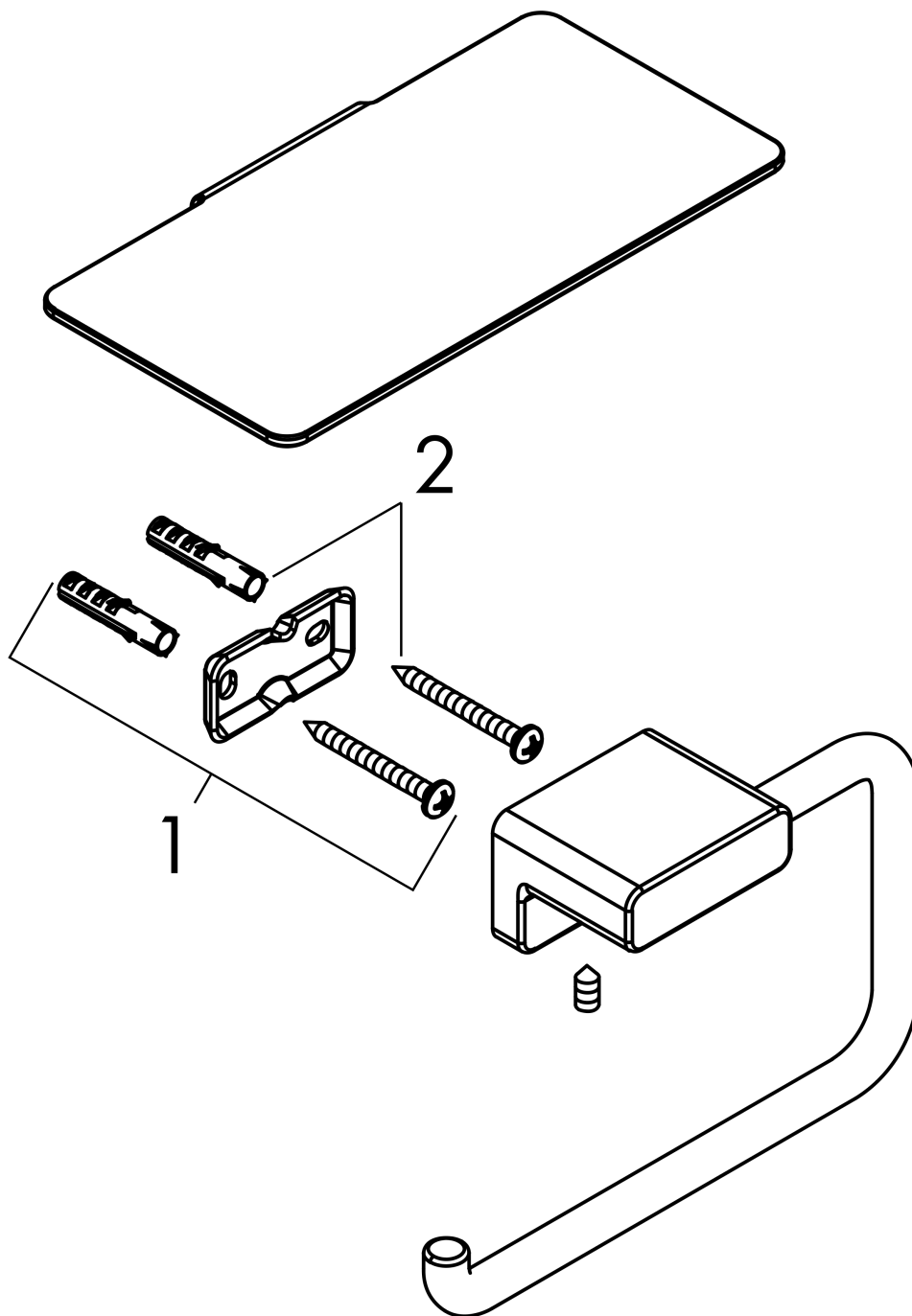


AddStoris
Toilet Paper Holder with Shelf
 Finish: brushed nickel Part no. : 41772820



Exploded drawing

Year of production: >02/22



AddStoris
Toilet Paper Holder with Shelf
 Finish: **brushed nickel** Part no. : **41772820**



Spare parts list

Year of production: >02/22

Pos.	Description	Part no.	Price	PU
1	mounting set	40915000	-	1
2	support element	94165000	-	1