

**AXOR Universal Softsquare
Toilet Paper Holder**
Finish: **chrome** Part no. : **42436000**



Description

Features

- Wall-mounted
- Brass
- Metal holder
- With mounting material
- Concealed fastening
- Diameter of drilled hole: 0.23"

Item details

List Price \$ 360.00

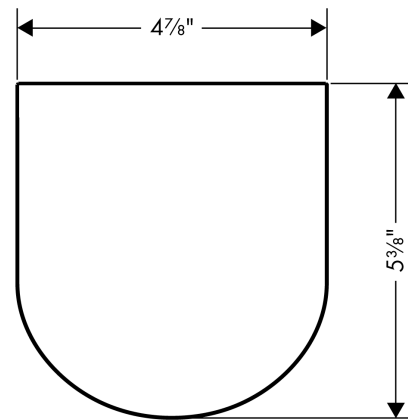
Compliance / Sustainability



Product image



Scale drawing

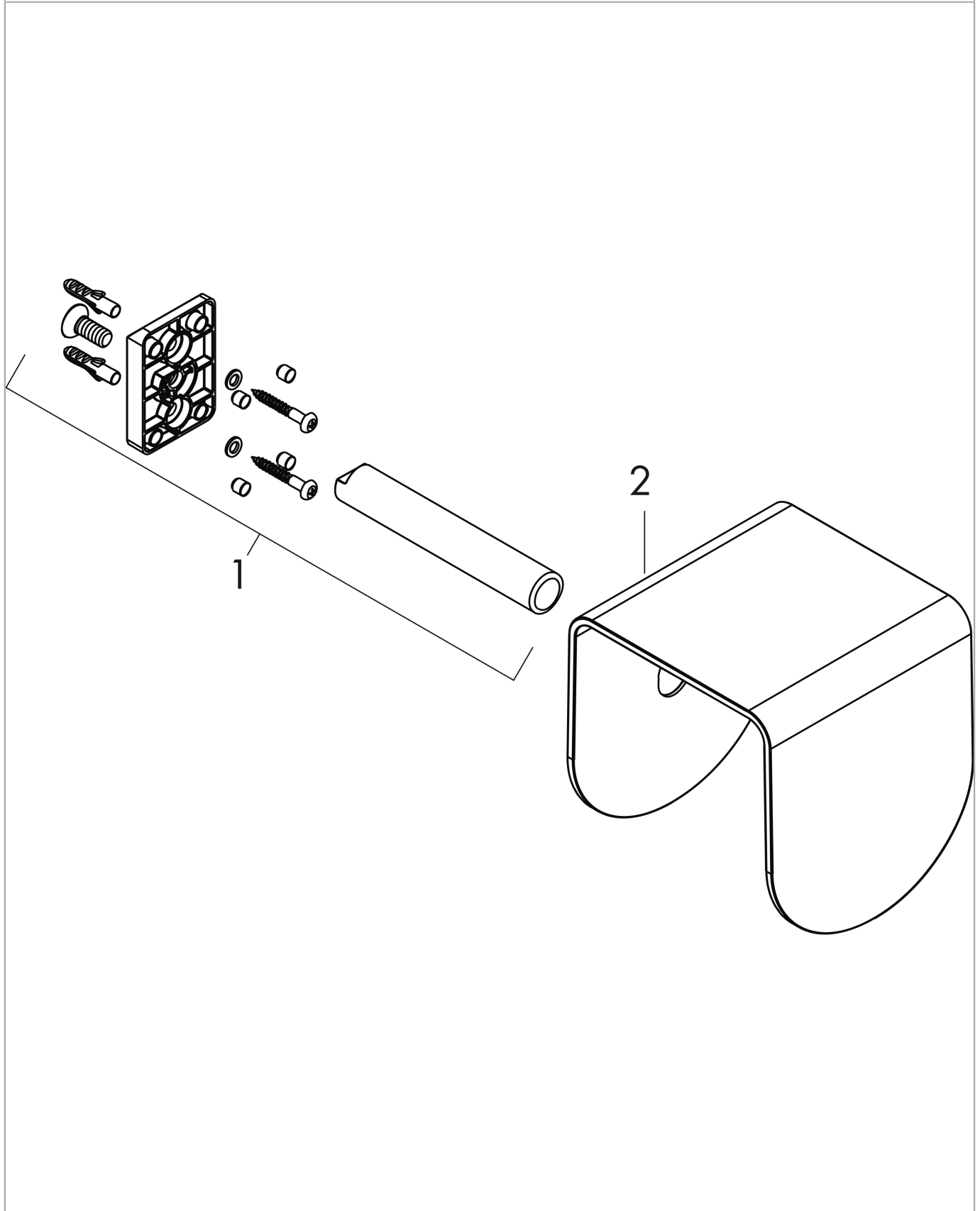


AXOR Universal Softsquare
Toilet Paper Holder
Finish: **chrome** Part no. : **42436000**



Exploded drawing

Year of production: >09/09



AXOR Universal Softsquare
Toilet Paper Holder
 Finish: **chrome** Part no. : **42436000**



Spare parts list

Year of production: >09/09

Pos.	Description	Part no.	Price	PU
1	support element	95421000	-	1
2	cover	95418000	-	1