

**AXOR Universal Softsquare  
Toothbrush Tumbler**  
Finish: **chrome** Part no. : **42834000**



**Description**

**Features**

- Wall-mounted
- Adaptor set #42870XXX must be used when installing on a rail
- Metal, Glass
- Metal holder
- With mounting material
- Concealed fastening
- Diameter of drilled hole: 0.23"

**Item details**

List Price \$ 348.00

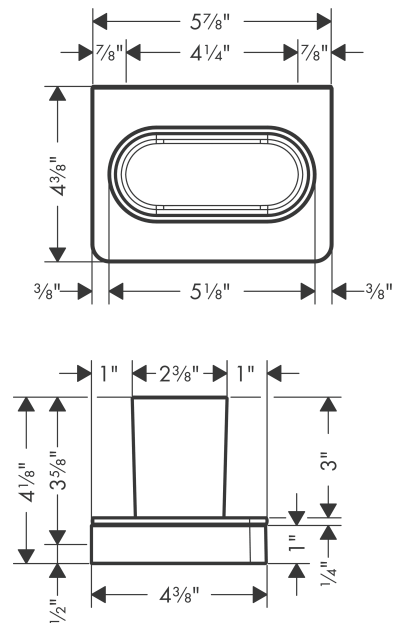
**Compliance / Sustainability**



**Product image**



**Scale drawing**

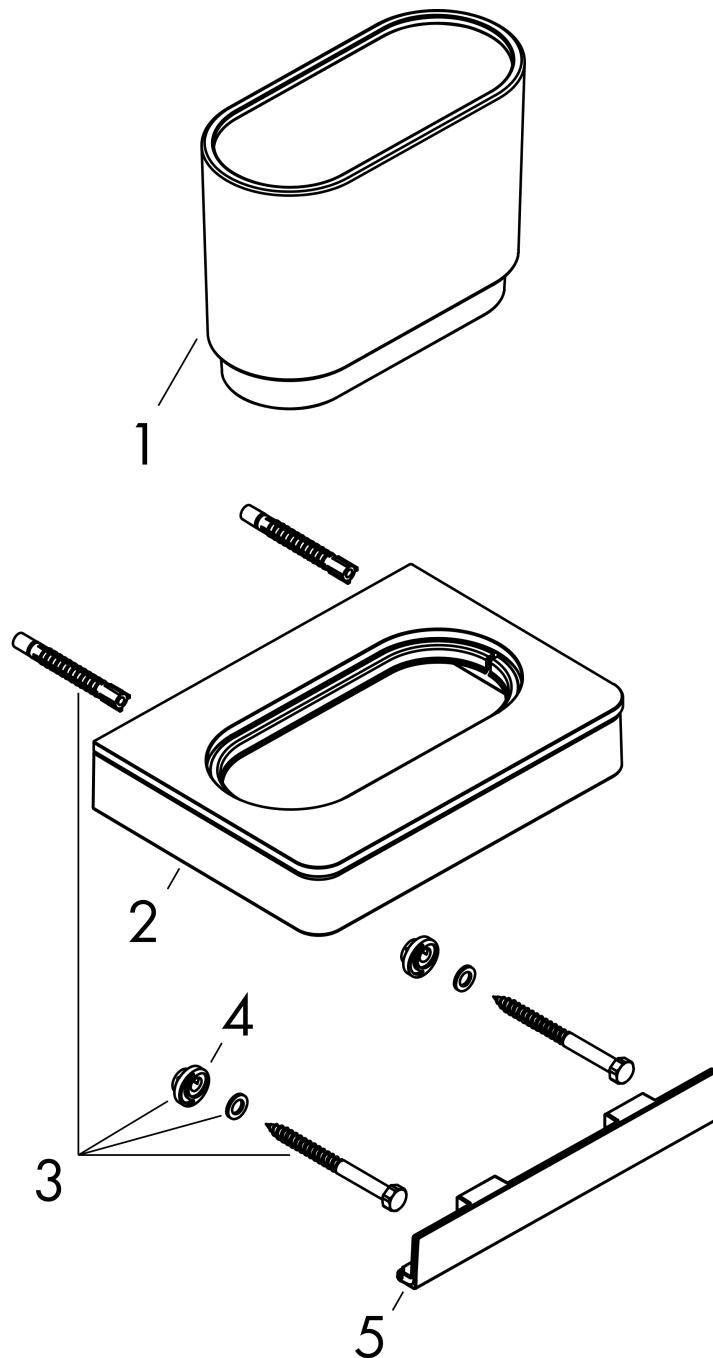


**AXOR Universal Softsquare  
Toothbrush Tumbler**  
Finish: **chrome** Part no. : **42834000**



Exploded drawing

Year of production: >11/14



**AXOR Universal Softsquare  
Toothbrush Tumbler**  
Finish: **chrome** Part no. : **42834000**



**Spare parts list**

Year of production: >11/14

Pos.	Description	Part no.	Price	PU
1	tumbler on its own	92436000	-	1
2	support element	92458000	-	1
3	mounting set	92841000	-	1
4	excentric socket	97604000	-	1
5	cover	92427000	-	1
a	set of adapters	42870000	-	1