

**AXOR Universal Softsquare
Toothbrush Tumbler**

Finish: **brushed nickel** Part no. : **42834820**



Description

Features

- Wall-mounted
- Adaptor set #42870XXX must be used when installing on a rail
- Metal, Glass
- Metal holder
- With mounting material
- Concealed fastening
- Diameter of drilled hole: 0.23"

Item details

List Price \$ 459.00

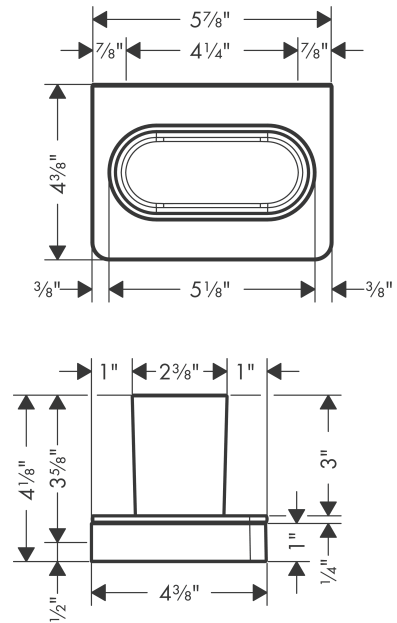
Compliance / Sustainability



Product image



Scale drawing

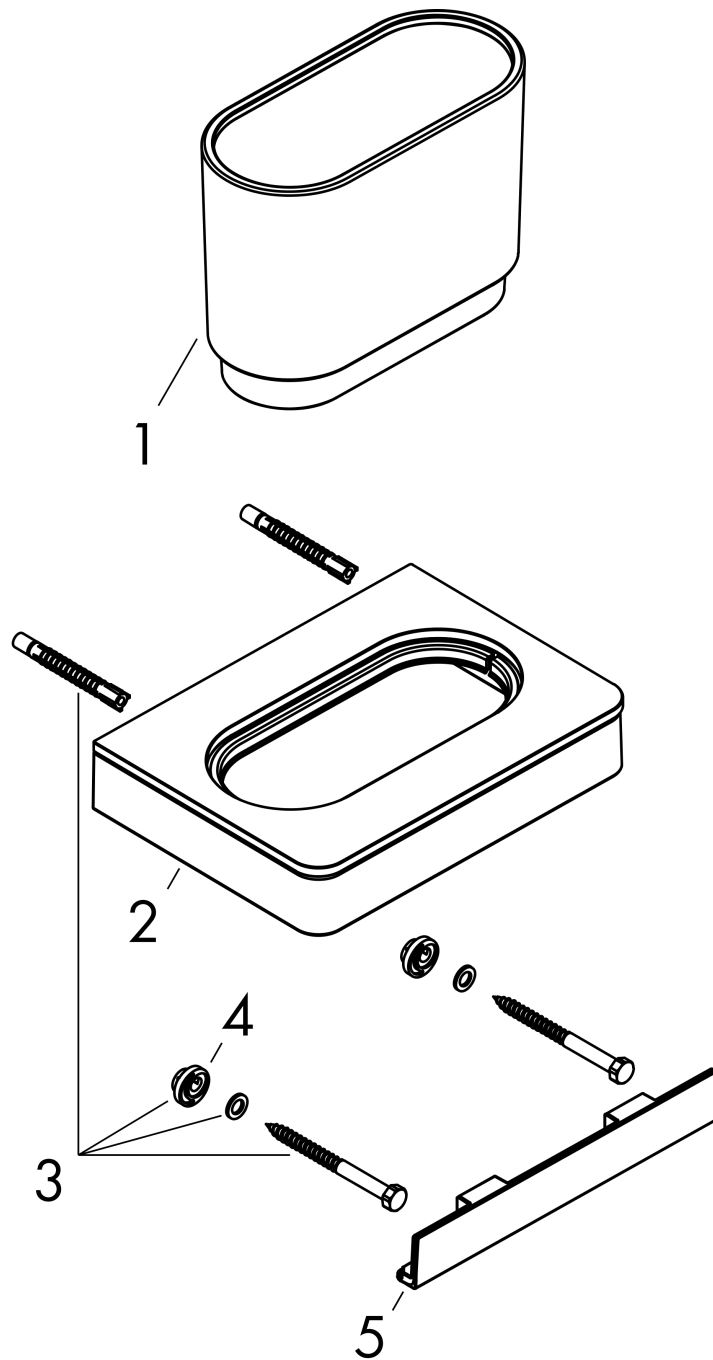


**AXOR Universal Softsquare
Toothbrush Tumbler**
Finish: brushed nickel Part no. : 42834820



Exploded drawing

Year of production: >02/16



AXOR Universal Softsquare

Toothbrush Tumbler

Finish: **brushed nickel** Part no. : **42834820**



Spare parts list

Year of production: >02/16

Pos.	Description	Part no.	Price	PU
1	tumbler on its own	92436000	-	1
2	support element	92458820	-	1
3	mounting set	92841000	-	1
4	excentric socket	97604000	-	1
5	cover	92427820	-	1
a	mounting kit for two-sided glass montage	42841000	-	1
b	set of adapters	42870000	-	1
c	set of covers	42871820	-	1