

**AXOR Universal Softsquare  
Toilet Paper Holder with Cover**  
Finish: **chrome** Part no. : **42836000**



**Description**

**Features**

- Wall-mounted
- Mirror-inverted installation is also possible
- Mounting in combination with a soap dish or shelf and/or rail-mounting possible (requires # 42870XXX Modular Adaptor Set)
- Metal
- With mounting material
- Concealed fastening
- Diameter of drilled hole: 0.23"

**Item details**

List Price \$ 318.00

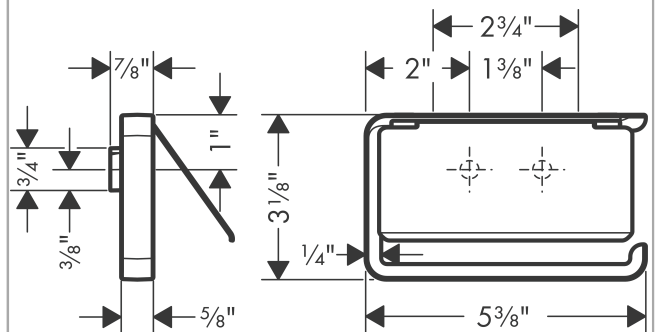
**Compliance / Sustainability**



**Product image**



**Scale drawing**

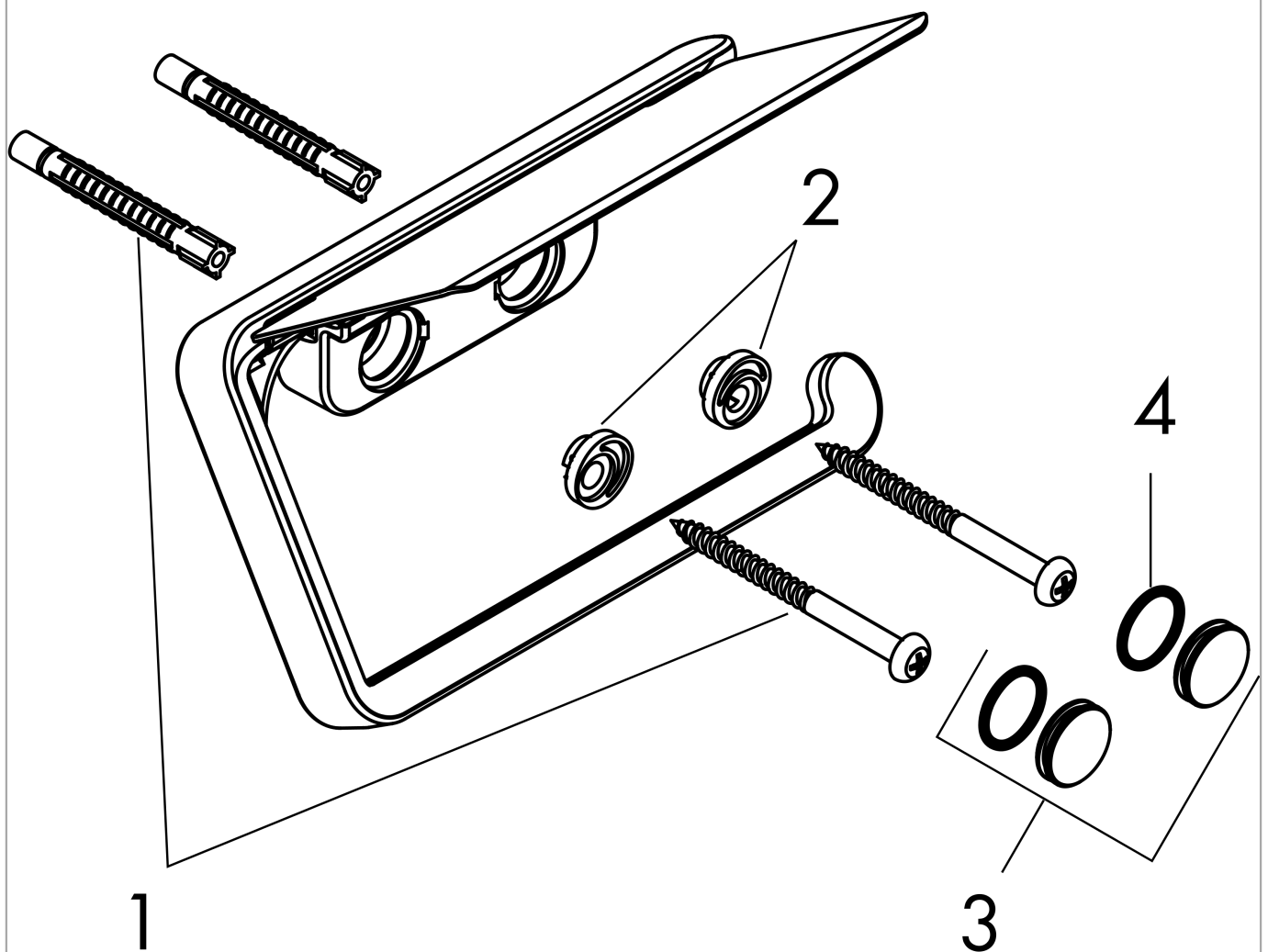


**AXOR Universal Softsquare**  
**Toilet Paper Holder with Cover**  
 Finish: **chrome** Part no. : **42836000**



Exploded drawing

Year of production: >11/14



**AXOR Universal Softsquare  
Toilet Paper Holder with Cover**  
Finish: **chrome** Part no. : **42836000**



**Spare parts list**

Year of production: >11/14

Pos.	Description	Part no.	Price	PU
1	mounting set	40915000	-	1
2	excentric socket	97604000	-	1
3	set of covers	92437000	-	1
4	O-ring 13x1,5	98475000	-	1
a	set of adapters	42870000	-	1