

**AXOR Universal Softsquare**

**Shelf 12"**

Finish: **chrome** Part no. : **42838000**



**Description**

**Features**

- Wall-mounted
- For rail mounting, requires 2x # 42870XXX (for asymmetric installation, only one set is needed)
- Mounting possible with toilet paper roll holder #42836XXX (adaptor #42870XXX necessary)
- Material frame: solid Brass
- Material shelf: Safety glass
- With mounting material
- Concealed fastening
- Diameter of drilled hole: 0.23"
- Suitable for installation inside shower compartment

**Item details**

List Price \$ 422.00

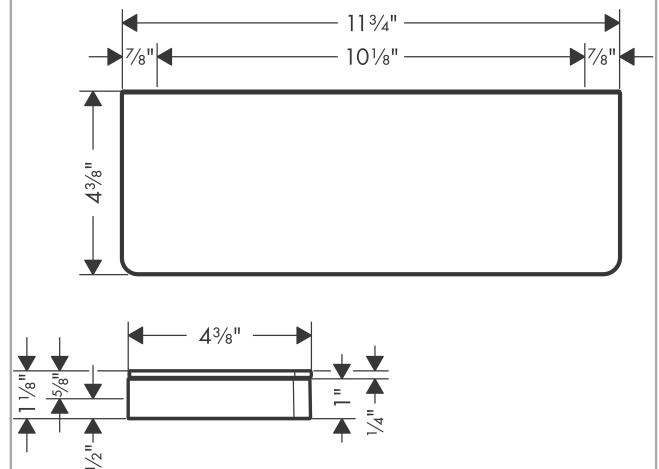
**Compliance / Sustainability**



**Product image**



**Scale drawing**

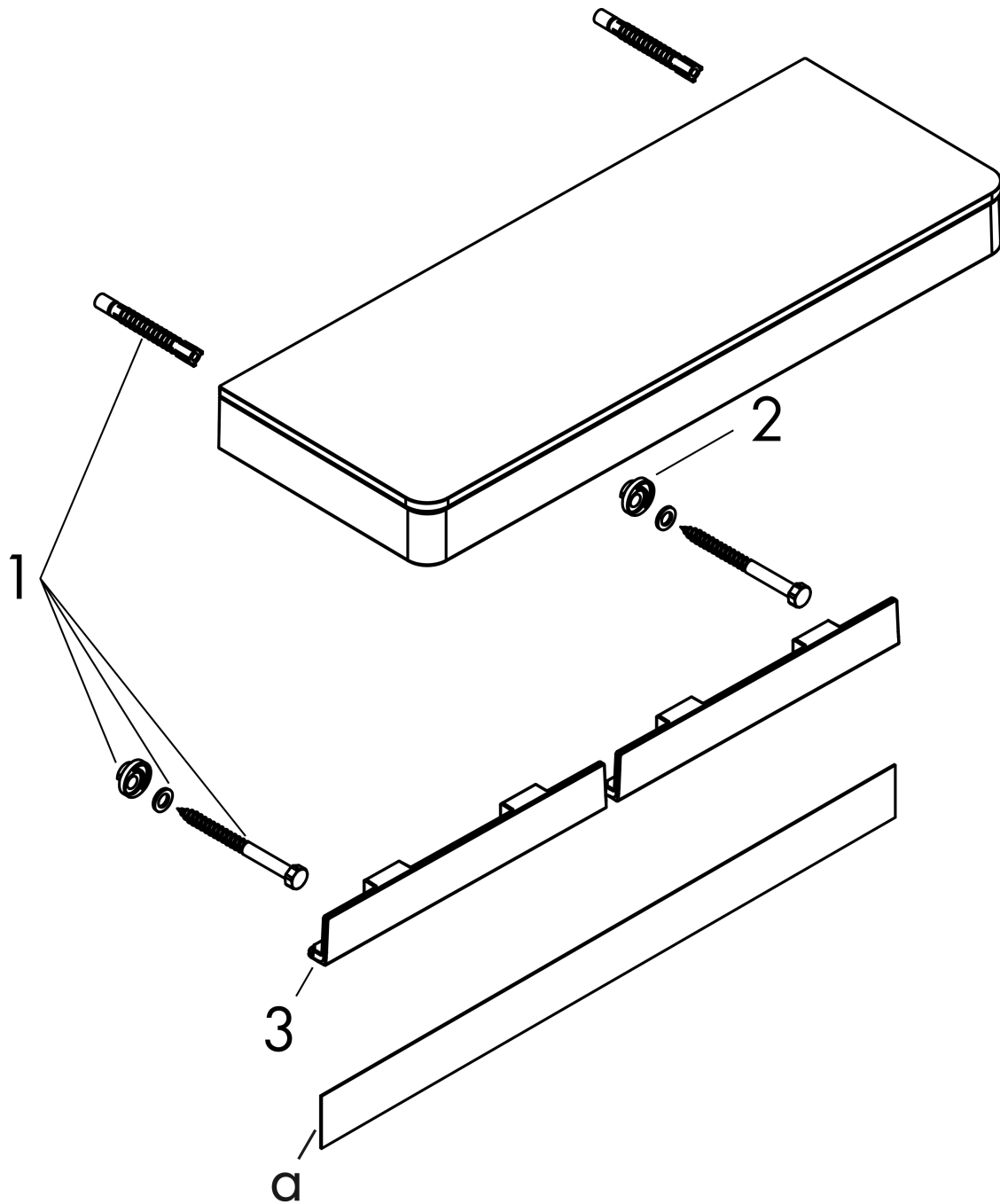


AXOR Universal Softsquare  
 Shelf 12"  
 Finish: **chrome** Part no. : **42838000**



Exploded drawing

Year of production: >11/14



**AXOR Universal Softsquare**

**Shelf 12"**

Finish: **chrome** Part no. : **42838000**



**Spare parts list**

Year of production: >11/14

<b>Pos.</b>	<b>Description</b>	<b>Part no.</b>	<b>Price</b>	<b>PU</b>
1	mounting set	92841000	-	1
2	excentric socket	97604000	-	1
3	cover	92427000	-	1
a	cover	42891000	-	1
b	set of adapters	42870000	-	1
c	mounting kit for two-sided glass montage	42841000	-	1