

AXOR Universal Softsquare Shelf 6"

Finish: **chrome** Part no. : **42840000**



Description

Features

- Wall-mounted
- Adaptor set #42870XXX must be used when installing on a rail
- Mounting possible with toilet paper roll holder #42836XXX (adaptor #42870XXX necessary)
- Material frame: solid Brass
- Material shelf: Safety glass
- With mounting material
- Concealed fastening
- Diameter of drilled hole: 0.23"
- Suitable for installation inside shower compartment

Item details

List Price \$ 286.00

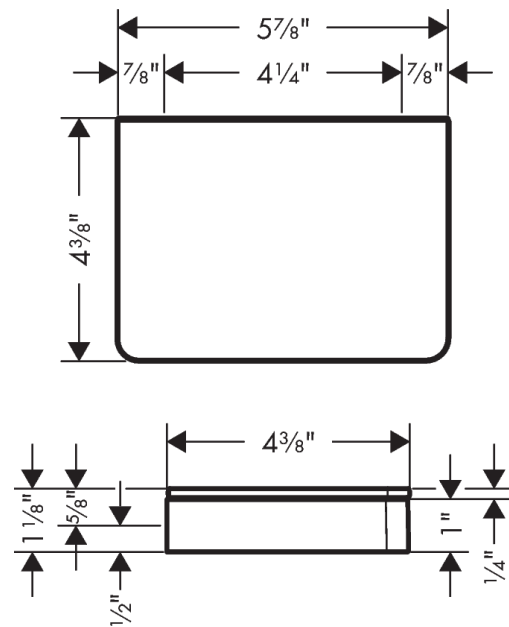
Compliance / Sustainability



Product image



Scale drawing



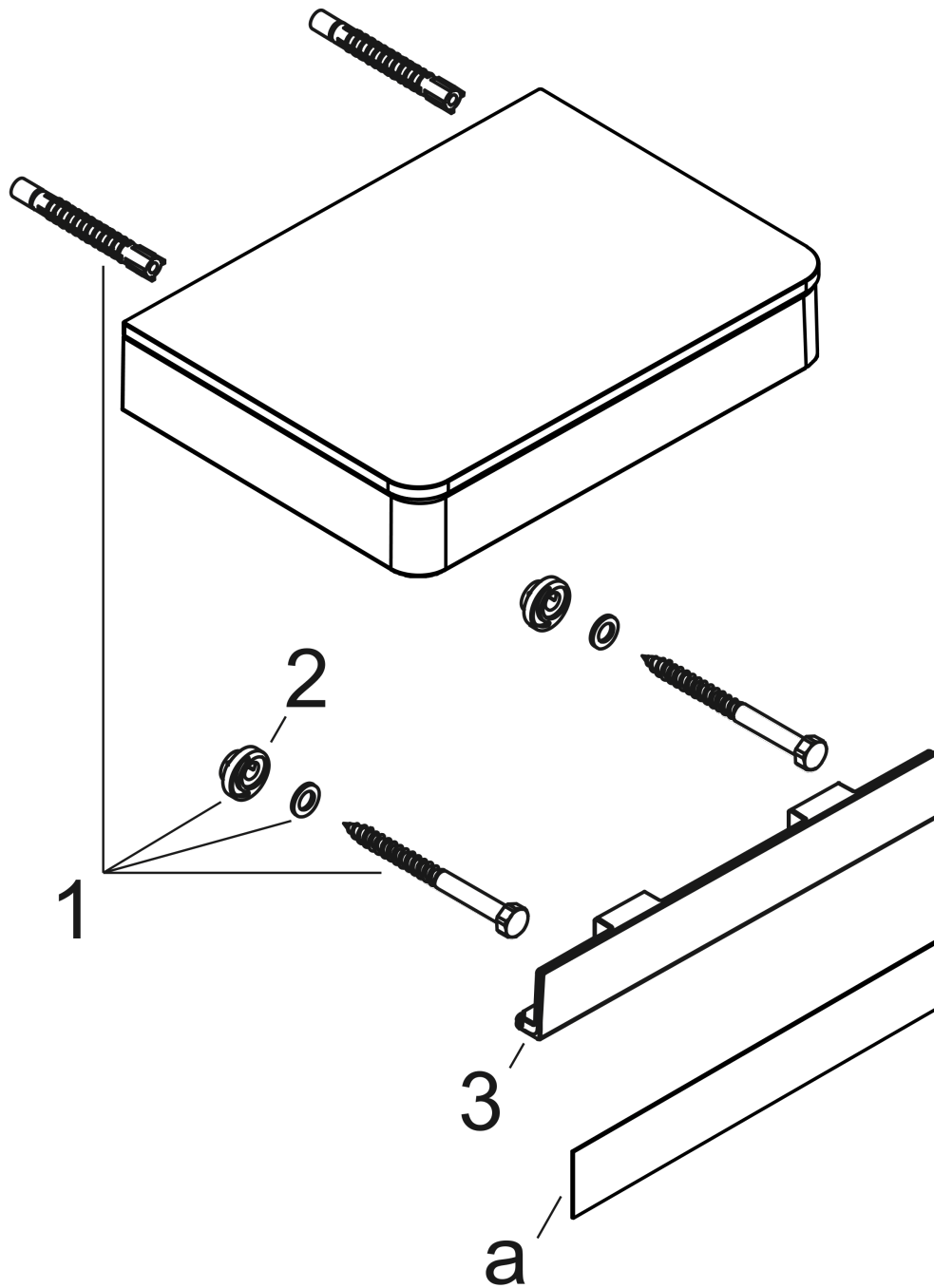
**AXOR Universal Softsquare
Shelf 6"**

Finish: **chrome** Part no. : **42840000**



Exploded drawing

Year of production: >06/17



**AXOR Universal Softsquare
Shelf 6"**

Finish: **chrome** Part no. : **42840000**



Spare parts list

Year of production: >06/17

Pos.	Description	Part no.	Price	PU
1	mounting set	92841000	-	1
2	excentric socket	97604000	-	1
3	cover	92427000	-	1
a	cover	42890000	-	1