

AXOR Universal Circular Shelf, 16"

Finish: **brushed black chrome** Part no. : **42844340**



Description

Features

- Wall-mounted
- Material frame: solid Brass
- Material shelf: Metal
- With mounting material
- Concealed fastening
- Diameter of drilled hole: 0.23"
- Suitable for installation inside shower compartment

Item details

List Price \$ 578.00

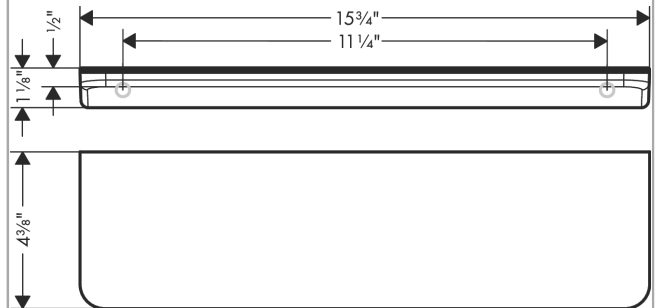
Compliance / Sustainability



Product image



Scale drawing



AXOR Universal Circular

Shelf, 16"

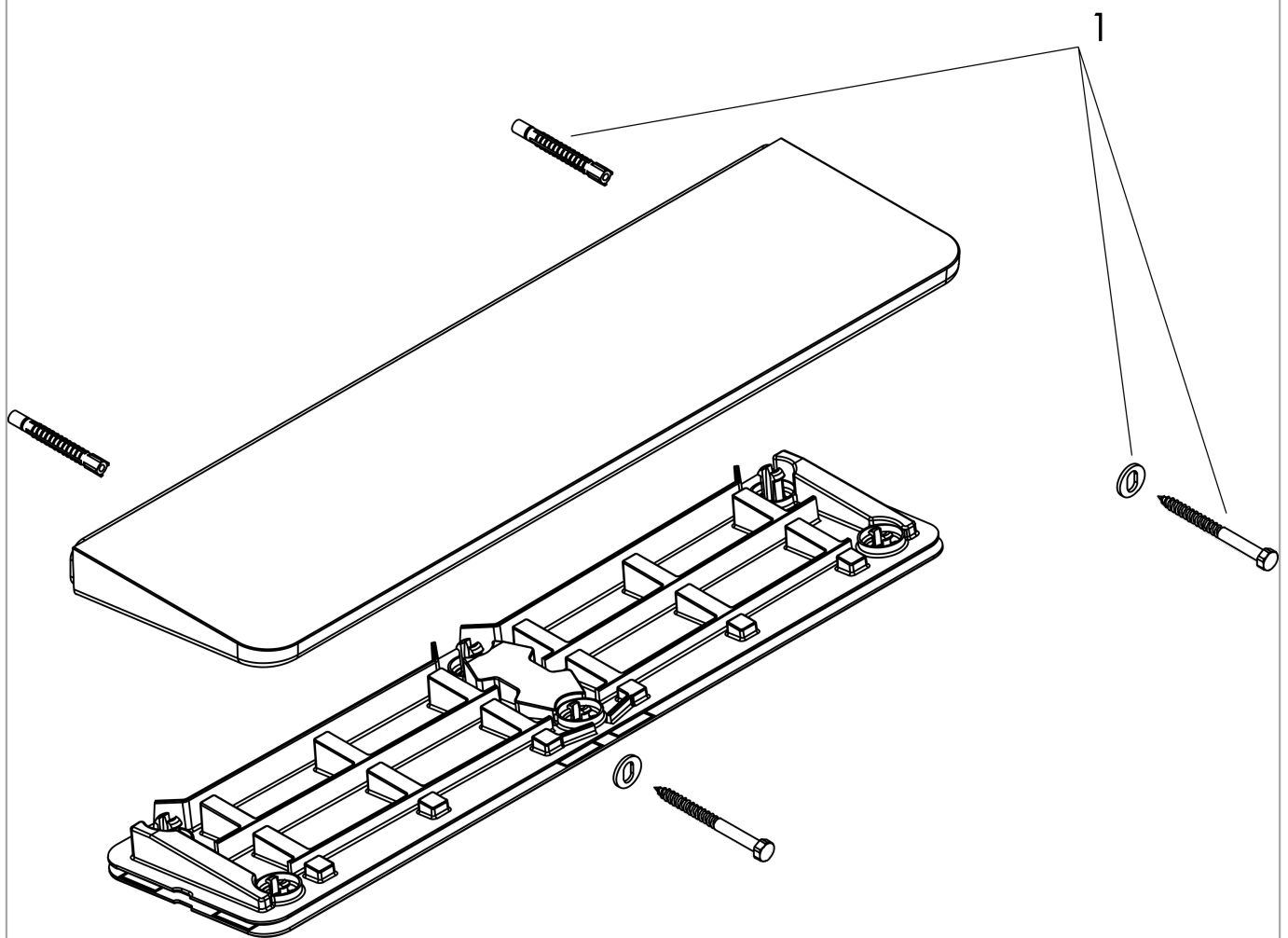
Finish: **brushed black chrome**

Part no. : **42844340**



Exploded drawing

Year of production: **>04/22**



AXOR Universal Circular

Shelf, 16"

Finish: **brushed black chrome** Part no. : **42844340**



Spare parts list

Year of production: >04/22

Pos.	Description	Part no.	Price	PU
1	mounting set	98716000	-	1