

**AXOR Universal Circular
Roll Holder with Cover**

Finish: **brushed nickel** Part no. : **42858820**



Description

Features

- Wall-mounted
- Metal
- With mounting material
- Concealed fastening
- Diameter of drilled hole: 0.23"

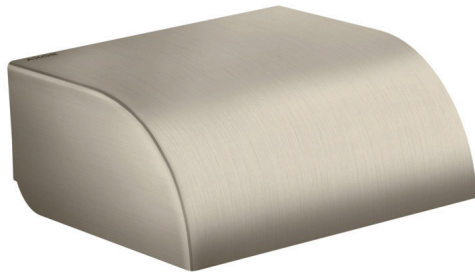
Item details

List Price \$ 437.00

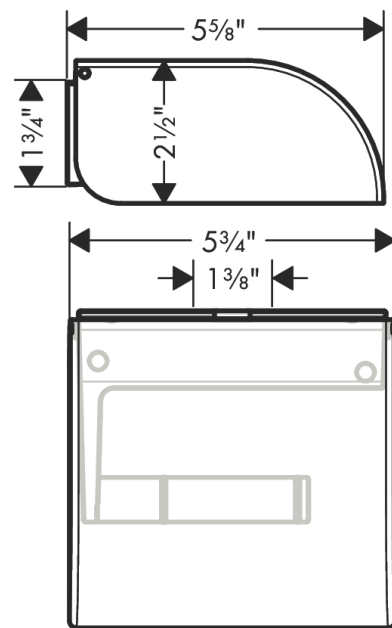
Compliance / Sustainability



Product image



Scale drawing

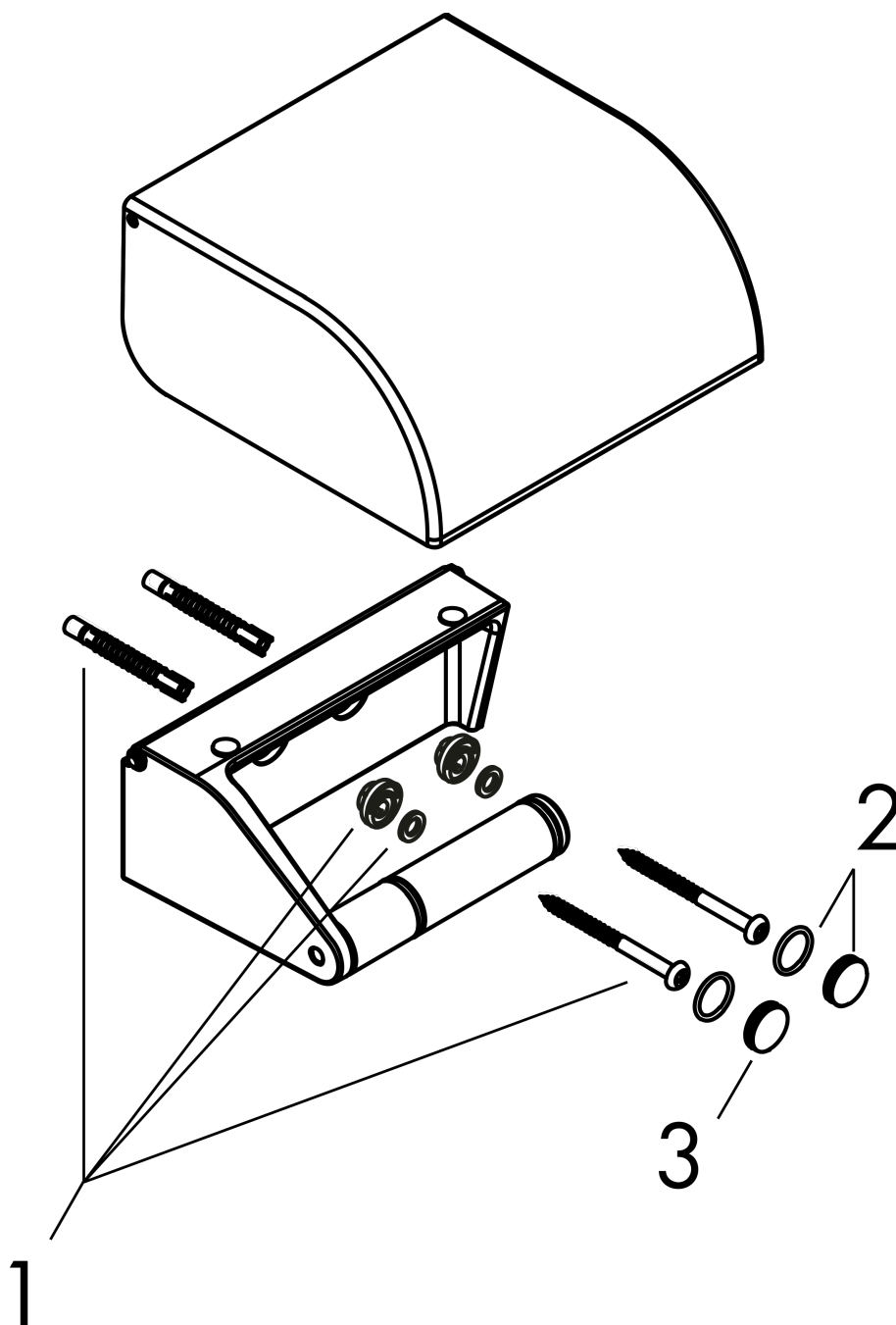


**AXOR Universal Circular
Roll Holder with Cover**
Finish: brushed nickel Part no. : 42858820



Exploded drawing

Year of production: >12/21



AXOR Universal Circular

Roll Holder with Cover

Finish: **brushed nickel** Part no. : **42858820**



Spare parts list

Year of production: >12/21

Pos.	Description	Part no.	Price	PU
1	mounting set	92841000	-	1
2	O-ring 13x1,5	98475000	-	1
3	set of covers	92437820	-	1