

**AXOR Universal Softsquare
Adapter Set**

Finish: **chrome** Part no. : **42870000**



Description

Features

- For installing an accessory on a rail, or for combining toilet paper holder with shelf or soap dish
- Fits with soap dish/shelf #42803XXX or shelf 11.81" #42838XXX with roll holder #42836XXX

Item details

List Price \$ 101.00

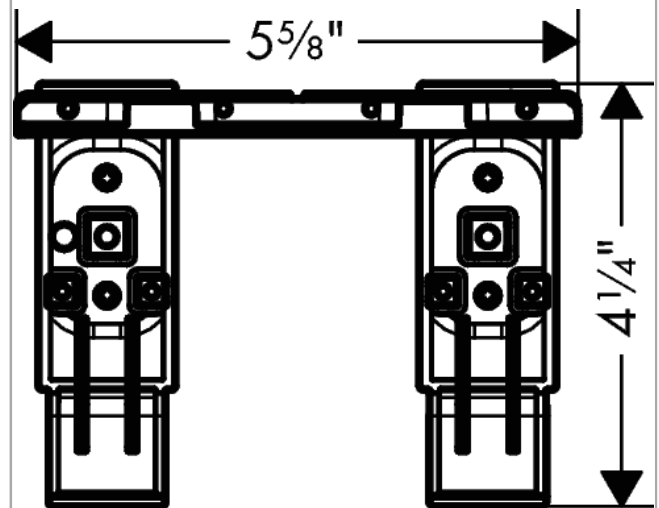
Compliance / Sustainability



Product image



Scale drawing



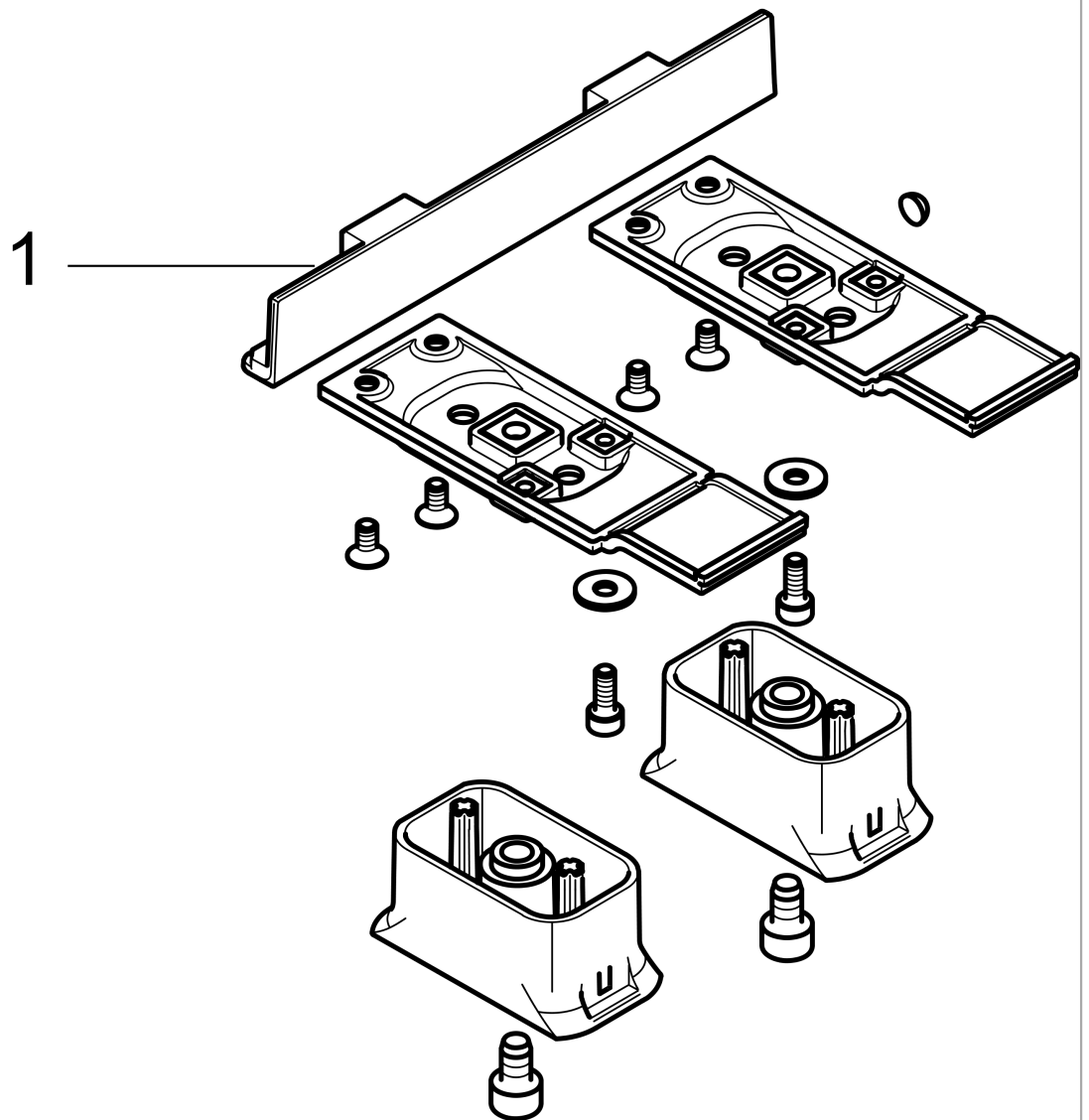
**AXOR Universal Softsquare
Adapter Set**

Finish: **chrome** Part no. : **42870000**



Exploded drawing

Year of production: >11/14



**AXOR Universal Softsquare
Adapter Set**

Finish: **chrome** Part no. : **42870000**



Spare parts list

Year of production: >11/14

Pos.	Description	Part no.	Price	PU
1	cover	92464000	-	1
a	hexagon socket screw M6x10	92847000	-	1