

Specifications:

Installation:	Vanity-top, wall-mount, or on-counter
Exterior dimensions:	16 1/2" w x 18 1/2" d x 4" h
Material:	Porcelain
Weight:	26 lbs
Overflow:	Yes
Finish:	001 - White
Faucet holes:	00- No hole 01- One centered hole 02 - Two hole - center and right, 4" spread 03 - Three hole, 8" spread
Cutout size:	12" X 10 3/4" (TEMPLATE AVAILABLE UPON REQUEST)
Faucet hole size:	Ø 1 3/8"
Drain hole size:	Ø 1 3/4"



Features:

- Porcelain sink with overflow
- Wall-mounting bolts are included
- Current cut-out template can be requested
- Compact elegance for tight spaces, ideal for powder rooms or boutique environments where space is limited but style is non-negotiable.
- Glazed back - it must be installed against a wall on the back
- Unglazed bottom
- Wall-mounting bolts included

Codes + Standards

- Meets and exceeds applicable national codes and standards

Recommended Items:

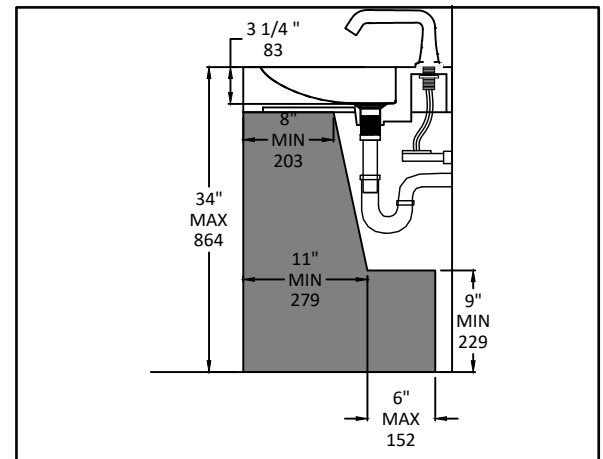
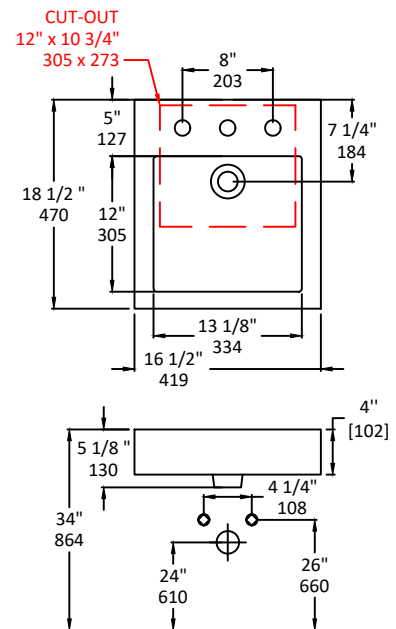
FURNITURE

- AQG-BX-17 - floor-standing metal console stand with towel bars and optional shelf
- AQG-FR-17 - floor-standing metal console stand with a towel bar and optional shelf
- AQG-W-17 - wall-mount under-counter vanity with finger pulls on two drawers

DRAIN WITH OVERFLOW

- 7100-17
- 7100-13OF
- 7100-16OF

DRAWINGS PROVIDED HEREIN ARE MEANT TO GIVE THE USER AN IDEA OF THE PRODUCT AND ARE NOT MADE TO SCALE.



RECOMMENDED ADA INSTALLATION

LACAVA reserves the right to revise any dimension or information on this sheet without notice. Dimensions are nominal and may vary within an industry accepted tolerance of 1/4".