

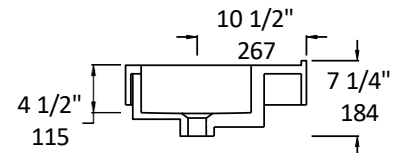
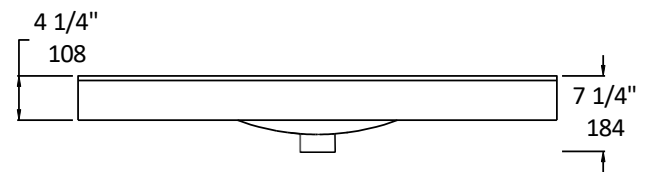
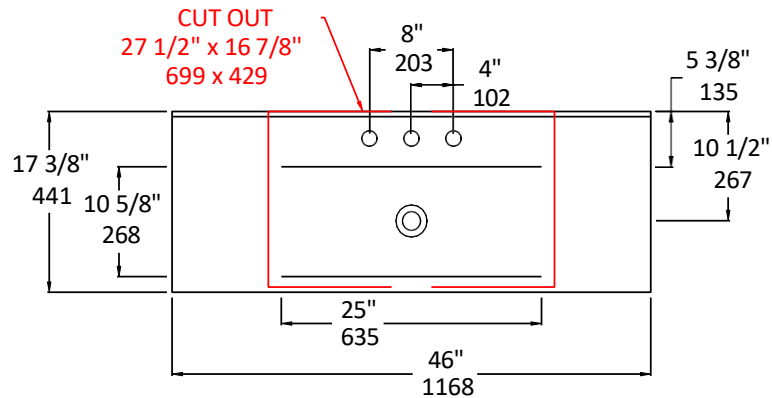
Specifications:

Installation:	Vanity-top
Exterior Dimensions:	46" w x 17 3/8" d x 7 1/4" h
Material:	Solid surface
Weight:	60 lbs
Overflow:	Yes
Finishes:	M – Matte white G - Gloss white
Faucet Holes:	00 - no hole 01 - one centered hole 02 - two hole - center and right, 4" spread 03 - three hole, 8" spread
Cutout Size:	27 1/2" x 16 7/8" (template available upon request)
Faucet Hole Size:	Ø 1 3/8"
Drain Hole Size:	Ø 1 3/4"



Features:

- Solid surface sink with overflow
- Finished back
- Unfinished bottom
- Material is stain, scratch, chemical, and impact resistant



Codes + Standards:

- Meets and exceeds applicable national codes and standards

Recommended Items:

- Drain with overflow
 - 7100-17
 - 7100-13OF
 - 7100-16OF

Care + Maintenance:

- To prevent damage to the solid surface material, hot objects and open flame should not be placed in direct contact with the surface

[Click Here](#) to find out more about proper care and maintenance