

Sink Phantom Base 32" x 20" - U/M - 5530 900



Sinks

Code: 5530 900



DETAILS

Material AISI 304 stainless steel

Texture Foster brushed

Dimensions 32 ²³/₆₄" x 20 ²³/₆₄"

Standard fittings Drain
Boxed packing

Built-in hole [View technical data sheet](#)

Bowl dimension 30" x 17 ⁶³/₆₄"

Number of bowls 1 bowl

Waste fitting 3,5" drain

FEATURES

PHANTOM BASE | 20-30 mm

The Phantom BASE sink's bottoms are specifically engineered to be coupled with sinks made out of slabs. The perimetric trough makes for a simple and perfect installation. This version of Phantom BASE is meant for slabs of 20mm or 30mm thickness.

PHANTOM BASE WITHOUT WELDING

The steel bottom Phantom BASE solves the problem of water draining of slab sinks, because the slope built into the moulded bottom ensures perfect draining. The radius and sloped profile of Phantom BASE guarantee great practicality and hygiene in everyday cleaning.

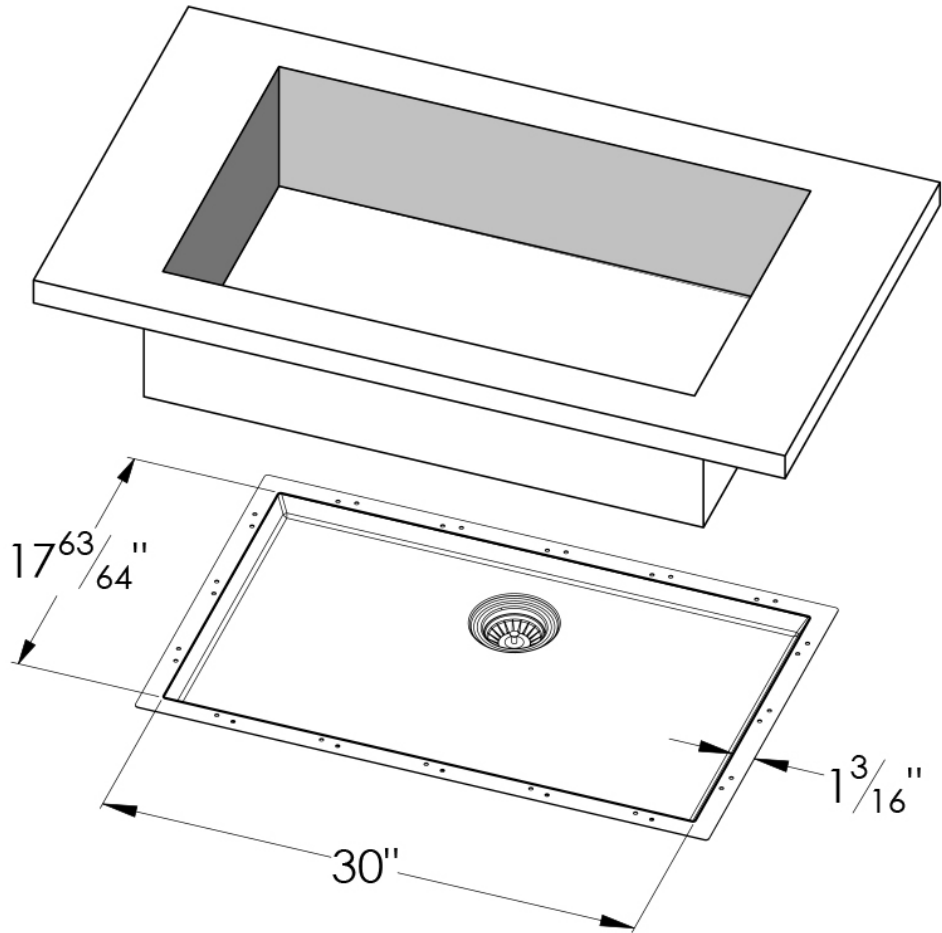
High thickness

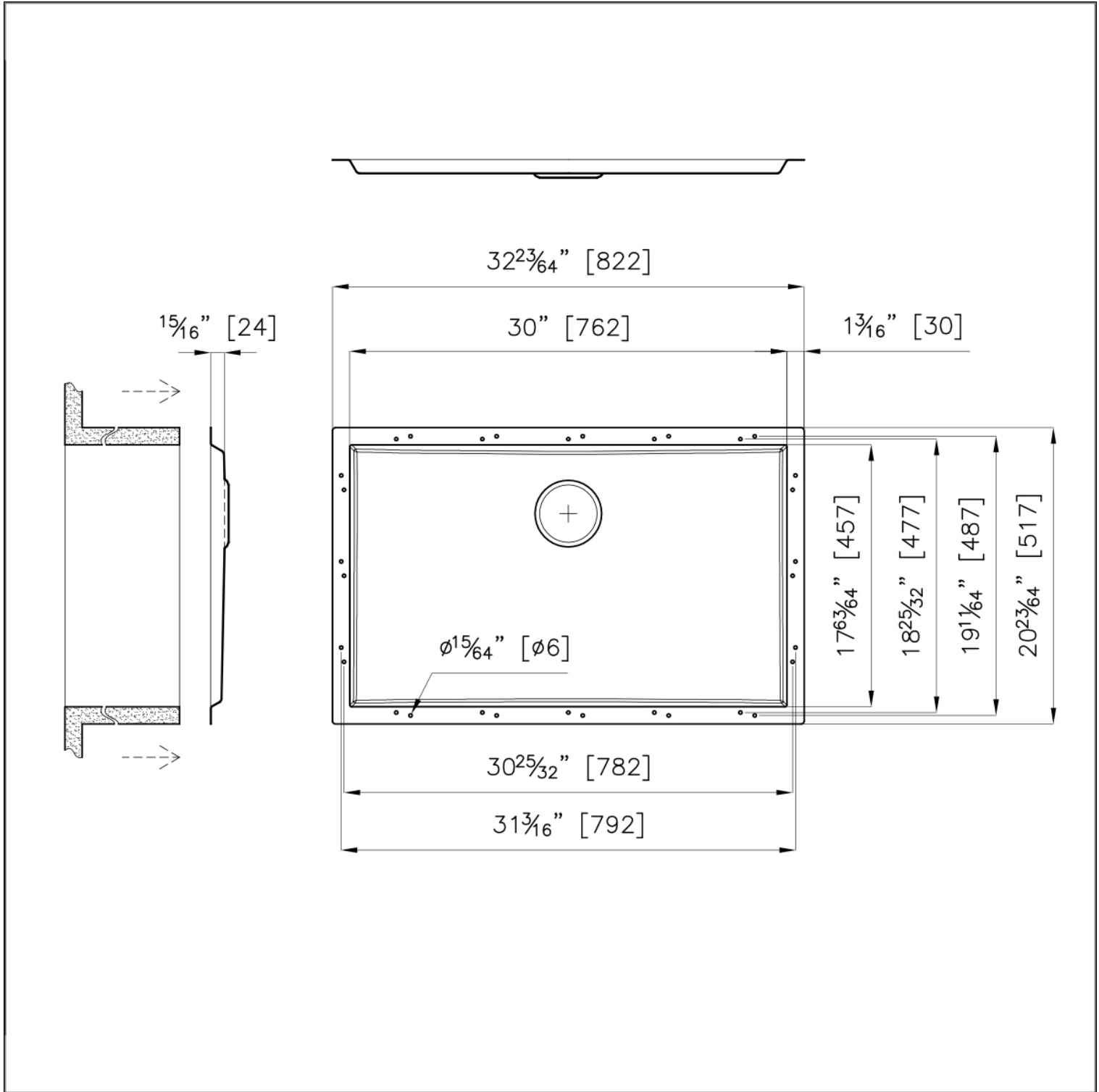
1.5 mm thick steel. A significant thickness, which guarantees the maximum sturdiness and durability.

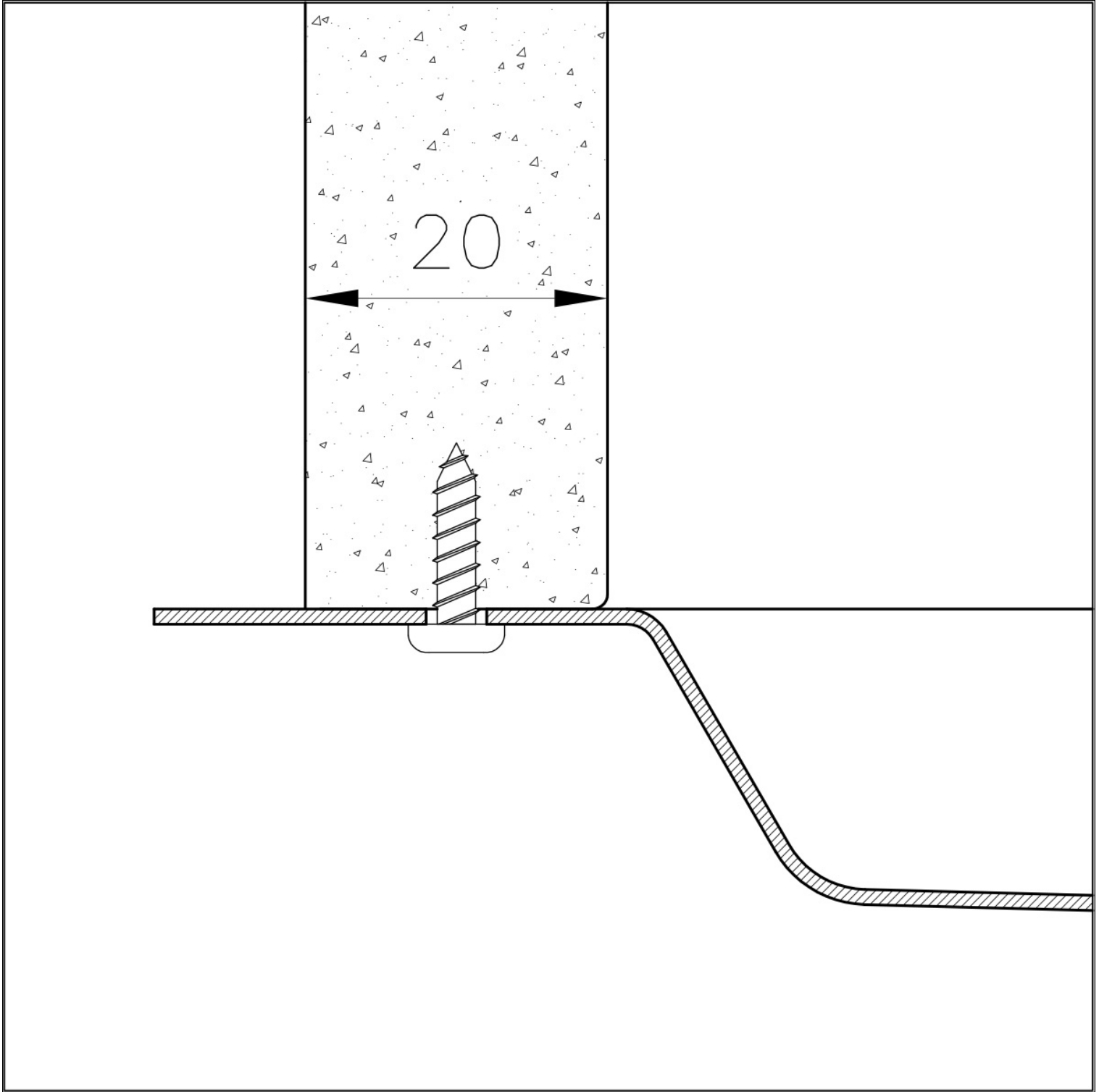
Small radius

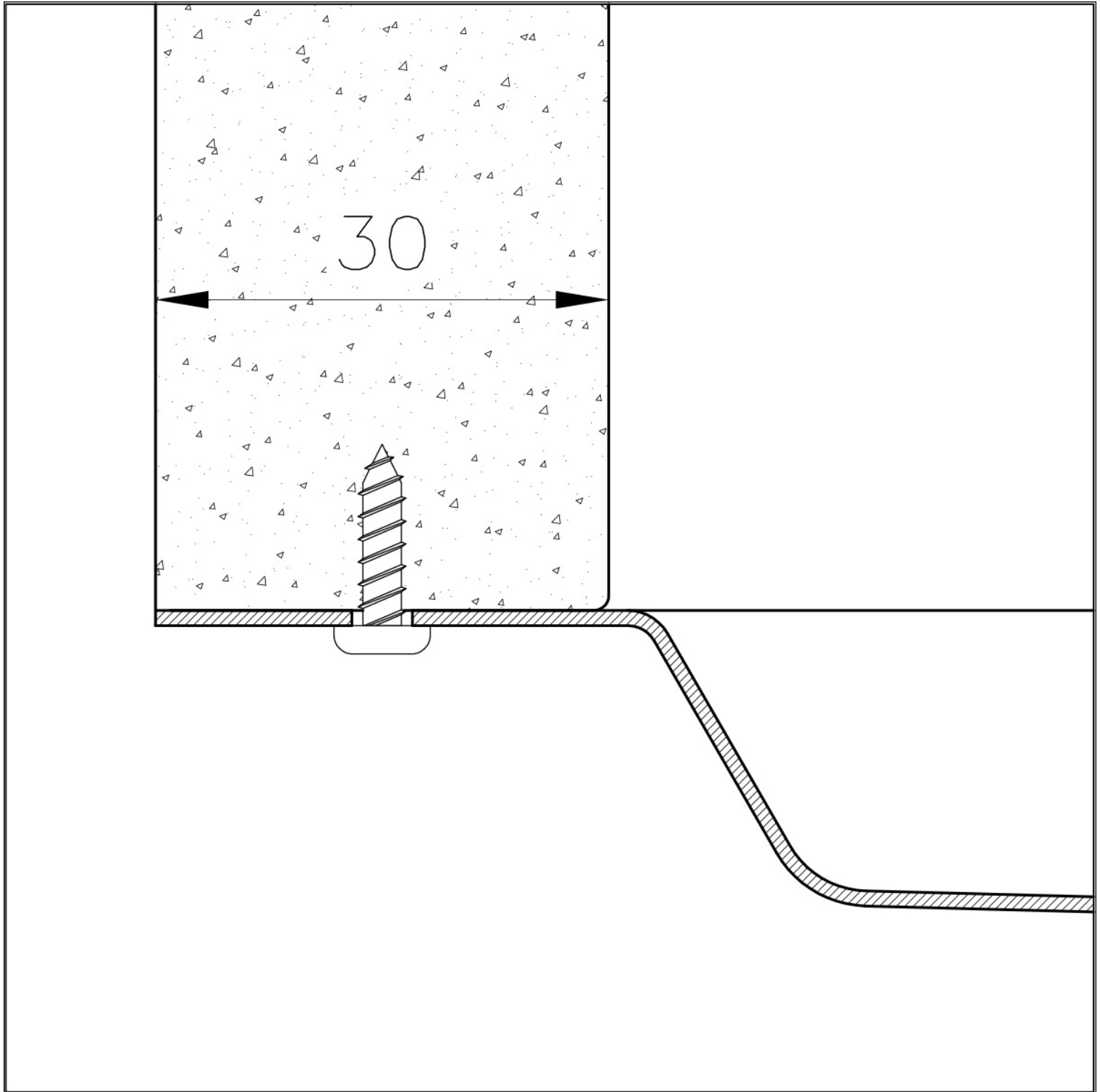
Bowls with squared shapes with a modern design and an increased capacity, for a minimal aesthetics connected with an extreme practicality.

TECHNICAL DATA









GALLERY



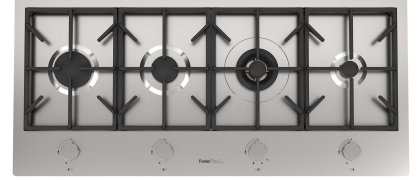
RECOMMENDED PAIRINGS



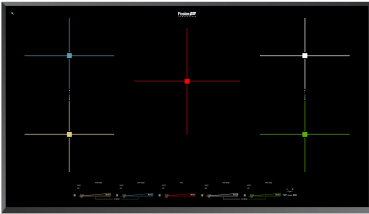
Faucet Capri | Polished finish -
8467 005



Faucet Salina | Polished Finish -
8487 005



Milano Cooktop 4 burners inLine
- 7640 900



Milano Induction Cooktop 5 Plate
- 7390 945