

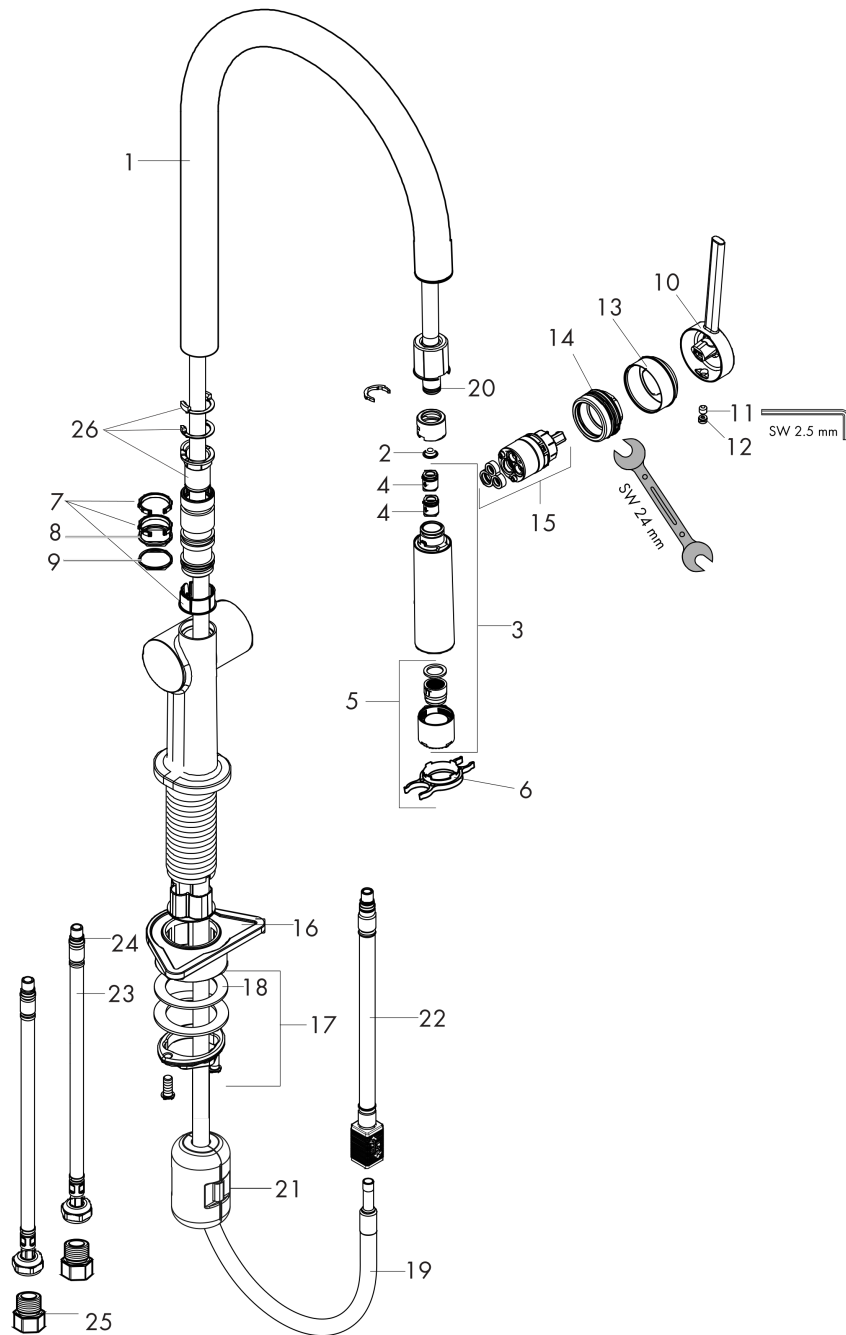


**Talis N**  
**HighArc Kitchen Faucet, O-Style 2-Spray Pull-Down, 1.75 GPM**  
 Finish: **brushed black chrome** Part no. : **72800341**



Exploded drawing

Year of production: >10/21



**Talis N**  
**HighArc Kitchen Faucet, O-Style 2-Spray Pull-Down, 1.75 GPM**  
 Finish: **brushed black chrome** Part no. : **72800341**



## Spare parts list

Year of production: >10/21

Pos.	Description	Part no.	Price	PU
1	spout cpl.	93739341	-	1
2	filter	98516000	-	1
3	handspray	87736341	-	1
4	non return valve DW 10	96456000	-	1
5	spray former	93342001	-	1
6	service tool	95910000	-	1
7	set of lever collars	98365000	-	1
8	O-ring 19x2	98426000	-	1
9	O-ring 20x1,5	98197000	-	1
10	handle	93736341	-	1
11	hollow set screw M5x5	98446000	-	1
12	screw cover	93735460	-	1
13	flange	93737341	-	1
14	nut	93738000	-	1
15	cartridge, assy	93740000	-	1
16	support	97523000	-	1
17	fixing set (Ø 34)	95049000	-	1
18	lever collar	97548000	-	1
19	hose	93745000	-	1
20	O-ring 8x2	98112000	-	1
21	weight	92500000	-	1
22	hose	93744000	-	1
23	connection hose 900 mm M8x0,75 G3/8	93746000	-	1
24	O-ring 6,6x1,6	93019000	-	1
25	adapter for connection hose	88802000	-	1
26	set of locating rings (60° / 110° / 150°)	94911000	-	1