

Metropol
Single-Hole Faucet 260 with Loop Handle, 1.2 GPM
 Finish: **chrome** Part no. : **74513001**



Description

Features

- Handle variant: Flat handle
- Spray modes: aerated spray
- Max. flow: 1.2 GPM (4.5 L/Min)
- Ceramic cartridge

Item details

List Price \$ 732.00

Technology



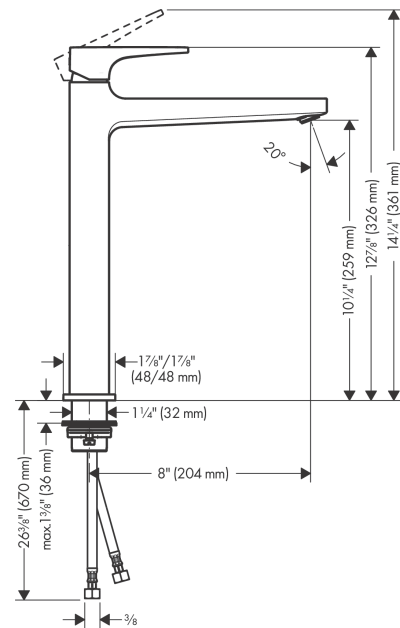
Compliance / Sustainability



Product image



Scale drawing

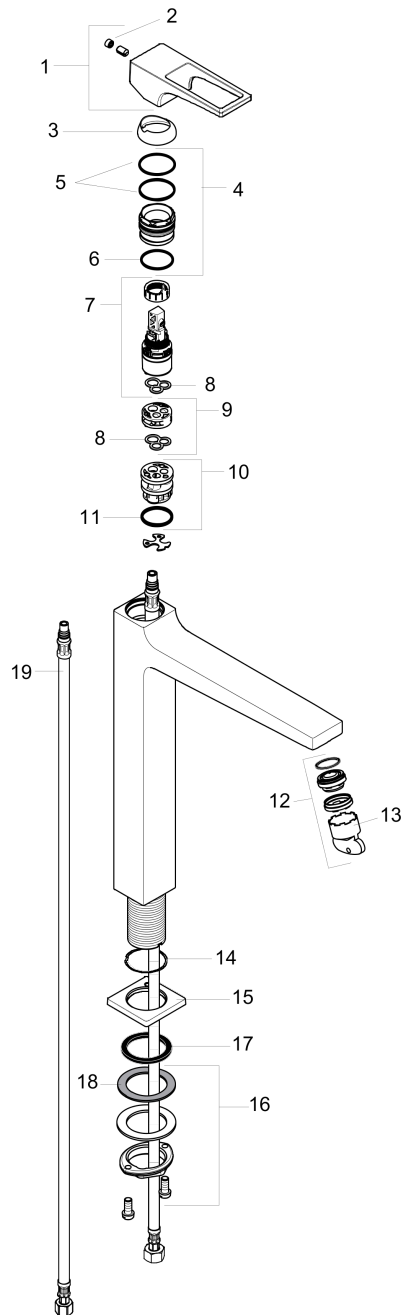


Metropol
Single-Hole Faucet 260 with Loop Handle, 1.2 GPM
 Finish: **chrome** Part no. : **74513001**



Exploded drawing

Year of production: >10/17



Metropol
Single-Hole Faucet 260 with Loop Handle, 1.2 GPM
 Finish: **chrome** Part no. : **74513001**



Spare parts list

Year of production: >10/17

Pos.	Description	Part no.	Price	PU
1	handle	93009000	-	1
2	screw cover	95704000	-	1
3	flange	92625000	-	1
4	nut	92689000	-	1
5	O-ring 27x1,5	92527000	-	1
6	O-ring 25x1,5	98146000	-	1
7	cartridge, assy	95973001	-	1
8	seal	98865000	-	1
9	adapter for cartridge	92628000	-	1
10	adapter for cartridge	98866000	-	1
11	O-ring 23x2	98398000	-	1
12	aerator M22x1	93098000	-	1
13	service tool	95661000	-	1
14	O-ring 32x1,5	92936000	-	1
15	escutcheon	93048000	-	1
16	fixing set (Ø 32)	13961000	-	1
17	flat seal	98749000	-	1
18	lever collar	97548000	-	1
19	connection hose 35½" M8x0,75 3/8"	96316001	-	1