



SPR275OS2DPNR



33.88" x 26.75" x 23.25" (H x W x D)

27" wide 2-drawer built-in undercounter all-refrigerator designed for indoor or outdoor use with panel-ready fully finished stainless steel drawer fronts, approved for residential and commercial use

Highlights:

Panel-ready drawers allow you to customize the look to match existing cabinetry

Flexible design allows for built-in or freestanding use in 27 inch wide spaces

Less than 24 inches deep for an easier fit in busy kitchens

Product Features:

| | |
|------------------------------------|---|
| Panel-ready drawer fronts | Drawers can be customized with overlay panels (sized at 26.77" x 13.78" at 3/4" thick) to match or accent existing cabinetry |
| 27" wide 2-drawer all-refrigerator | Uniquely sized for built-in installation under counters in residential or commercial kitchen settings |
| Less than 24" deep | Shallower depth than many similar units in this size class, allowing an easier fit in tight commercial or residential kitchen spaces |
| Stainless steel drawers | Interior and exterior drawer fronts feature weatherproof stainless steel construction in a horizontal grain for long-lasting luxury under the counter |
| Built-in capable | Front-breathing design allows the unit to be built-in under counters |
| Indoor/Outdoor compatible | Durable, weatherproof construction designed to hold up to the elements |
| Commercially approved | ETL-S listed to NSF-7 standards allows use in commercial kitchens |
| Wide temperature range | Temperature can be set between 34 and 65°F for versatile storage of food, beverages, wine, and other items |
| Professional handles | Included for optional use, or add your own to better match your cabinetry finishes |



SPR275OS2DPNR Specifications:

| Overview | |
|----------------------------|-----------------------------|
| Height of Cabinet | 33.88" (86 cm) |
| Width | 26.75" (68 cm) |
| Depth | 23.25" (59 cm) |
| Depth with Handle | 25.25" (64 cm) |
| Depth with door at 90° | 37.75" (96 cm) |
| Capacity | 4.83 cu.ft. (137 L) |
| Defrost Type | Frost-Free |
| Door | Stainless Steel/Panel-Ready |
| Cabinet | Black |
| US Electrical Safety | ETL |
| Canadian Electrical Safety | ETL-C |
| Sanitation | ETL-S |
| Energy Usage/Year | 303.0kWh/year |
| Amps | 1.25 |
| Voltage/Frequency | 115 V AC/60 Hz |
| Weight | 121.0 lbs. (55 kg) |
| Shipping Weight | 130.0 lbs. (59 kg) |
| Parts & Labor Warranty | 1 Year |
| Compressor Warranty | 5 Years |
| UPC | 761101090160 |
| Refrigerator Features | |
| Sabbath Mode | Yes |
| Door Swing | Drawer |
| Height Adjustable | Yes |
| Thermostat Type | Digital |
| Fan Type | Interior and Exterior |
| Refrigerant Type | R600a |
| Refrigerant Amount | 1.23oz. |
| High Side PSI | 150.0 |
| Low Side PSI | 50.0 |
| Level Legs Qty | 4 |
| Interior Light | Yes |
| Interior Drawers | Yes |
| Interior Drawers Qty | 2 |
| Temperature Range | 34 to 65°F |

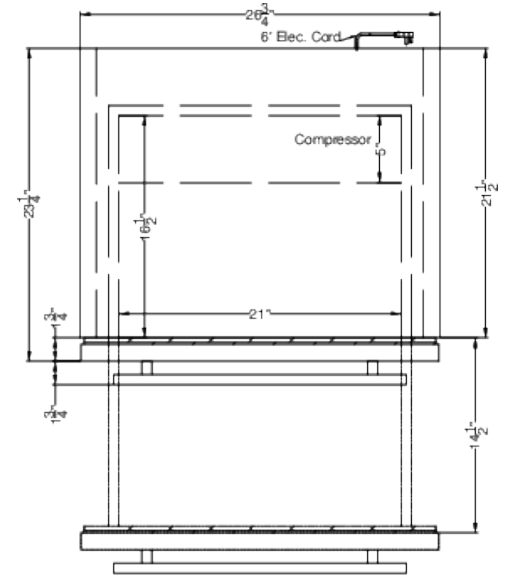
Sound Level 35.2 dB

Drawer Dimensions

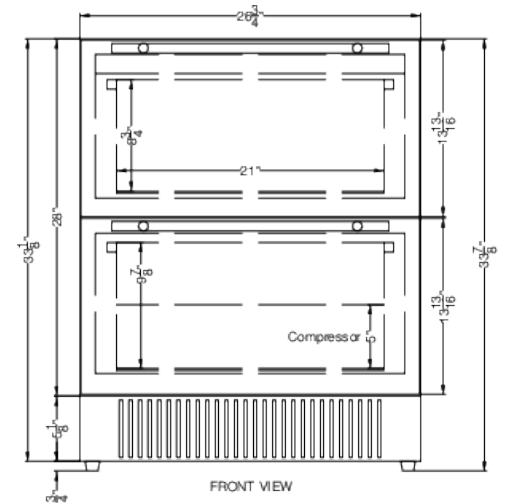
| | |
|-------------------|---------------|
| Interior Height 1 | 9.88" (25 cm) |
| Interior Width 1 | 21.0" (53 cm) |
| Interior Depth 1 | 16.5" (42 cm) |
| Interior Height 2 | 8.75" (22 cm) |
| Interior Width 2 | 21.0" (53 cm) |
| Interior Depth 2 | 16.5" (42 cm) |

Dimensions

| | |
|------------------------|---------------|
| Compressor Step Height | 5.0" (13 cm) |
| Compressor Step Width | 21.0" (53 cm) |
| Compressor Step Depth | 5.0" (13 cm) |



TOP VIEW



FRONT VIEW