

AD854010

Air duct part

AD854010

- Sealing is pre-assembled on each side.
- Suitable for flat duct bends.
- To connect 2 flat ducts, a flat duct connecting piece is required.
- If the removal of the seal is necessary, the connection must be fastened and sealed with aluminium adhesive tape.

Features

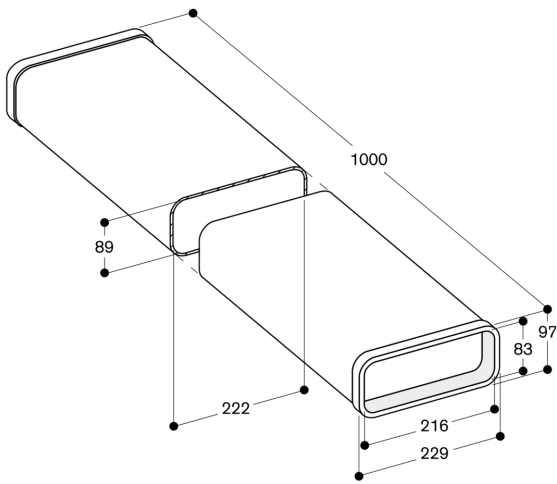
Sealing is pre-assembled on each side.

Planning notes

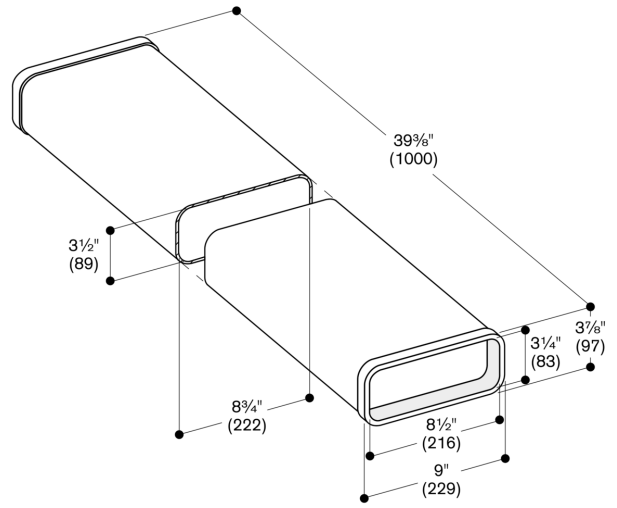
Suitable for flat duct bends.

To connect 2 flat ducts, a flat duct connecting piece is required.

If the removal of the seal is necessary, the connection must be fastened and sealed with aluminium adhesive tape.



Measurements in mm



Measurements in inches (mm)