



AD854032

Air duct part

AD854032

- Transition from flat duct to round duct.
- Maximum efficiency due to air guided fins in the duct bend.
- Round duct connecting piece with a seal.
- Suitable for flat duct and flat duct flex.
- Suitable for round duct and aluminum flex pipe.
- Transition from flat duct to round duct.

Features

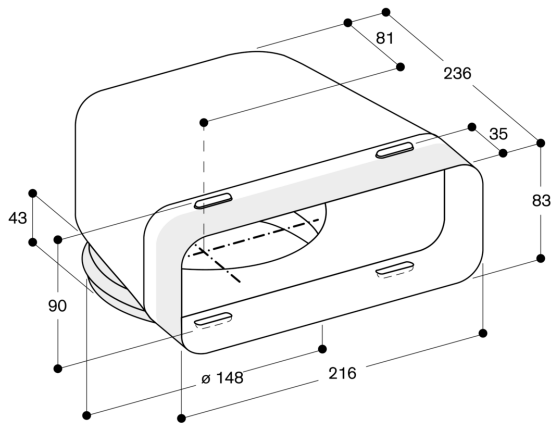
Maximum efficiency due to air guided fins in the duct bend.

Round duct connecting piece with a seal.

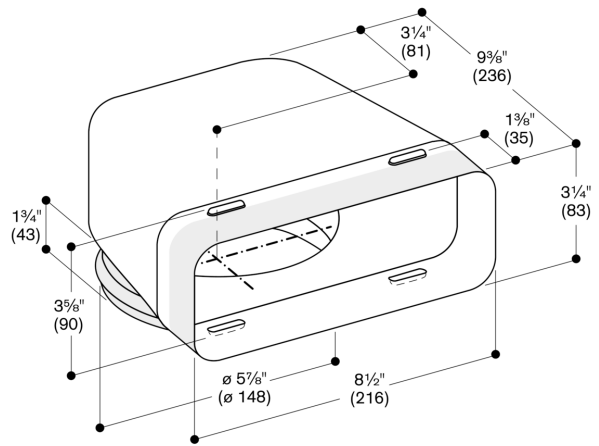
Planning notes

Suitable for flat duct and flat duct flex.

Suitable for round duct and aluminum flex pipe.



Measurements in mm



Measurements in inches (mm)